



**FAN POWERED CHILLED WATER TERMINAL UNIT**  
**SENSIBLE COOLING (DOAS) • CONSTANT OR VARIABLE VOLUME**  
**MODELS: 33SZ, 33SE AND 33SZW**  
**UNIT SIZES: 10 AND 30 (LOW PROFILE)**  
**WITH 90° LINE VOLTAGE ENCLOSURE (FN2 OPTION)**

**DESCRIPTION:**

- Sensible cooling coil on the induced air inlet handles zone sensible load. Opposite side to controls location. Aluminum ripple fins (10 FPI) and 1/2" (13) copper tubes. Hand of coil connection is determined looking in direction of airflow (RH shown).
- 20 ga. (1.00) galvanized steel construction.
- 16 ga. (1.61) galvanized steel inclined opposed blade damper. 45° rotation. CW to close.
- Ultra-high efficiency ECM fan motor. EPIC fan volume controller.
- 1/2" (13) dual density fiberglass installation, exposed edge coated to prevent air erosion. Meets requirements of NFPA 90A and UL 181.
- Access panels top and bottom.
- Multi-point averaging Diamond Flow Sensor. Supplied with balancing tees.
- Discharge opening designed for flanged duct connection.
- Single point electrical connection.
- Low voltage NEMA 1 type enclosure for factory mounted DDC controls.
- FN2 line voltage enclosure incorporates a hinged access door opening upstream that helps ensure NEC clearance requirements and reduces footprint.
- Controls mounted as standard on RH side as shown. Unit size 30 ordered with LH controls (optional) is inverted and discharge duct hanging elevation will therefore change.
- Galvanized steel drip pan integral to sensible coil.

**OPTIONS:**

**CW Coil:**

- 2-Row  4-Row
- 6-Row  8-Row
- Condensate Sensor.

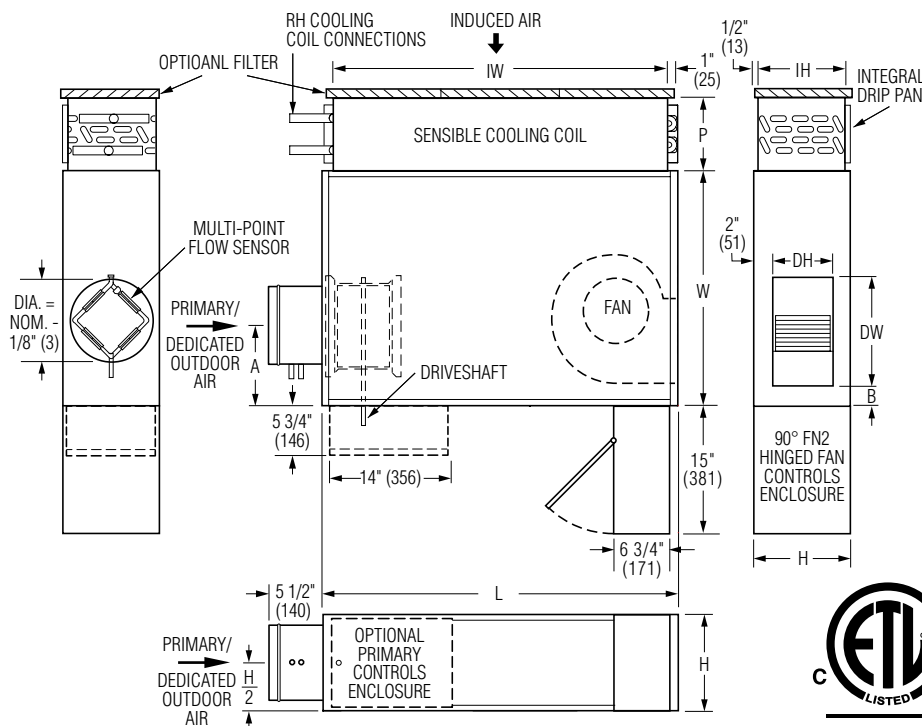
**Coil Connections:**

- Right Hand (Default).
- Left Hand.

**Liner:**

- Fiber-free
- Steri-liner
- Steri-liner + Perforated metal
- Perforated metal
- Solid metal

**Model 33SZ • Basic Unit**



**Dimensional Data**

Unit Size	Inlet Size	W	H	L	A	B	Cooling Coil IW x IH	P	Outlet Discharge DW x DH	Filter Size
10	4, 5, 6 (102, 127, 152)	26 1/2 (673)	8 1/2 (216)	47 1/4 (1200)	5 1/8 (130)	2 (51)	43 x 7 1/2 (1092 x 191)	2 Row: 5 1/8 (130)	7 1/8 x 4 3/4 (181 x 121)	45 x 8 1/2 (1143 x 216)
								4 Row: 7 5/16 (186)		
								6 Row: 9 1/2 (241)		
30	4, 5, 6, 8 (102, 127, 152, 203)	26 1/2 (673)	11 (279)	40 1/4 (1022)	8 (203)	2 (51)	36 x 8 3/4 (914 x 222)	8 Row: 11 11/16 (297)	12 3/8 x 6 7/8 (314 x 175)	38 x 10 (965 x 254)

**Electrical Data**

Unit Size	EPIC ECM Motor FLA				
	Motor HP	120V	208V	240V	277V
10	*	2.2	1.6	1.5	1.5
30	*	7.5	5.0	5.0	4.9

\* The EPIC ECM is a variable horsepower motor. Refer to Selectworks schedule for actual power consumption. FLA = Full load amperage. All motors are single phase/60 Hz.

**Filter:**

- 1" (25) Throwaway.
- 2" (51) Pleated MERV 8.
- 2" (51) Pleated MERV 13.
- Ducted Return Filter Rack (See submittal 33SZ-FR).
- LH Controls enclosure
- Toggle disconnect switch enclosure
- FN3 – Remote line voltage enclosure
- Motor fusing

**CW Coil O.D. Sweat Connections**

Unit Size	No. of Row
10, 30	2, 4, 6 & 8
	7/8" (22)



**Other:**

- Cross Flow Sensor
- Hanger brackets.
- 1/4-turn fasteners (access panel).
- Special Features.
- Induced Air Silencer (See submittal 33SZ-DSI)
- Induced Air Silencer Elbow (See submittal 33SZ-DSIE)

**Seismic Certification (Size 30):**

- Seismic Source International (Standard)
- HCAI (formerly OSHPD, California)
- Special Features: \_\_\_\_\_

**SCHEDULE TYPE:**

**PROJECT:**

**ENGINEER:**

**CONTRACTOR:**

Page 1 of 3; For heat options; see page 2.  
 Dimensions are in inches (mm).

DATE	B SERIES	SUPERSEDES	DRAWING NO.
2 - 6 - 23	3300	7 - 20 - 21	33SZ-3



**FAN POWERED CHILLED WATER TERMINAL UNIT**  
**SENSIBLE COOLING (DOAS) • CONSTANT OR VARIABLE VOLUME**  
**MODELS: 33SZ, 33SZE AND 33SZW**  
**UNIT SIZES: 10 AND 30 (LOW PROFILE)**  
**WITH 90° LINE VOLTAGE ENCLOSURE (FN2 OPTION)**

**Hot Water Coil Section**  
**Model 33SZW**

**Standard Features:**

- Coil section installed on unit discharge.
- Coil (and header on multi-circuit units) is installed in insulated casing for increased thermal efficiency.
- 1/2" (13) copper tubes.
- Aluminum ripple fins (10 FPI).
- Sweat Connections: One row: 1/2" (13) O.D. male solder. Two row: 5/8" (16) O.D. male solder.
- Flanged outlet duct connection.

**Coil Rows:**

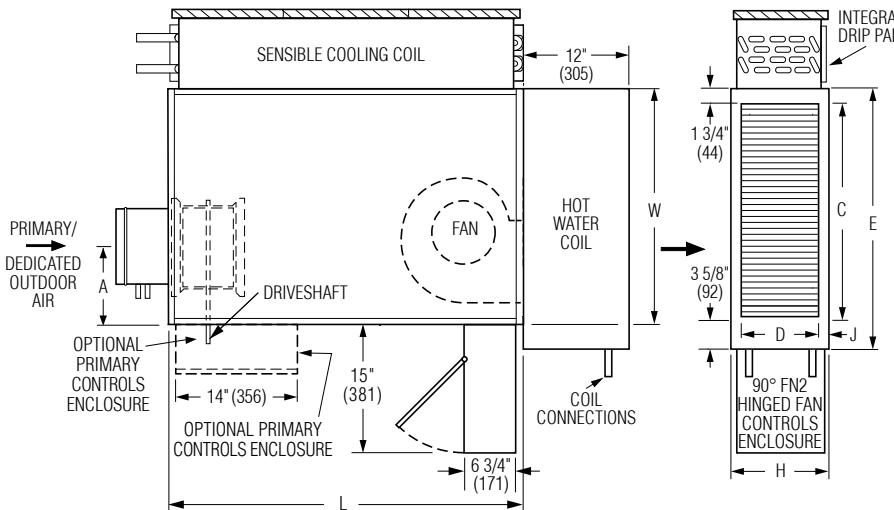
- 1-Row    2-Row

**Coil Hand Connections:**

(Looking in direction of airflow).

- Right Hand (illustrated). Standard.  
 Left Hand. Optional.

Heating coil, sensible coil and controls enclosure orientation must all be specified separately.



**Dimensional Data**

Unit Size	W	H	L	Outlet Duct Size C x D	J	E
10	26 1/2 (673)	8 1/2 (216)	47 1/4 (1200)	24 x 7 1/2 (610 x 191)	1/2 (13)	29 3/8 (746)
30	26 1/2 (673)	11 (279)	40 1/4 (1022)	24 x 8 3/4 (610 x 222)	1 1/8 (29)	29 3/8 (746)

**Electric Coil Section**  
**Model 33SZE**

**Standard Features:**

- Unique hinged heater design permits easy access, removal and replacement of heater element without disturbing ductwork.
- Coil installed on unit discharge.
- Insulated coil element wrapper.
- Automatic reset high limit cut-outs (one per element).
- Single point electrical connection for entire terminal unit.
- Magnetic contactors per stage.
- Class A 80/20 Ni/Cr wire.
- Electronic Fan Interlock Relay.
- Flanged outlet duct connection.
- Terminal unit with coil is ETL listed as on assembly.
- Controls mounted as standard on RH side as shown. Terminals ordered with L.H. controls (optional) are inverted.

**Voltage:**

Single phase, 60 Hz.

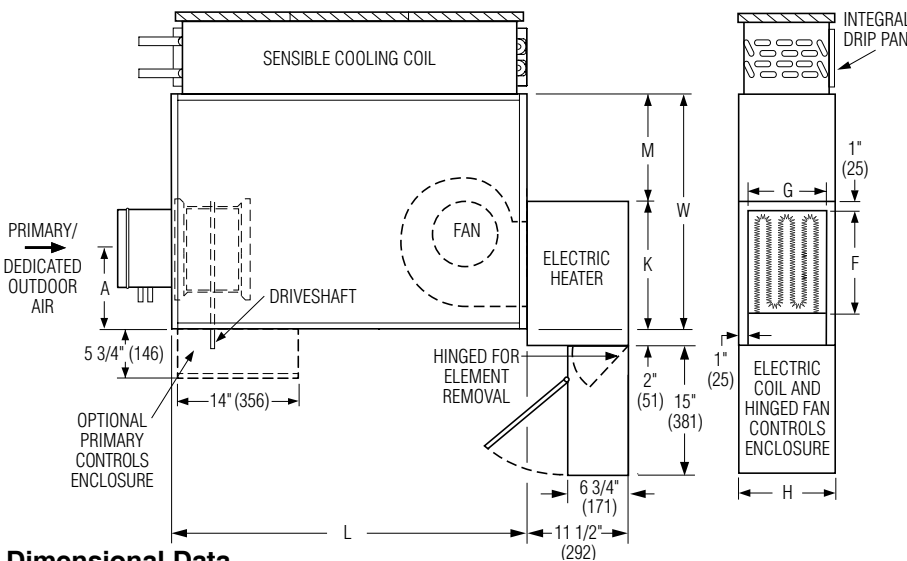
- 120V    208V  
 240V    277V

Three phase, 60 Hz.

- 208V    480V (4 wire wye).  
 600V (dual point connection).  
 \_\_\_\_\_

**Electric Coil Options:**

- SCR control.    Door interlock disconnect switch.    Dust tight construction.  
 SCR control with discharge temperature control.    Quiet contactors.    Manual Reset secondary thermal cut out.  
 Toggle disconnect (includes fan).    Main line fusing.    Positive Pressure airflow switch.



**Dimensional Data**

Unit Size	W	H	L	K	M	Outlet Duct Size F x G
10	26 1/2 (673)	8 1/2 (213)	47 1/4 (1200)	11 1/4 (286)	15 1/4 (387)	8 1/4 x 6 (210 x 152)
30	26 1/2 (673)	11 (279)	40 1/4 (1022)	15 3/8 (391)	11 1/8 (283)	12 3/8 x 9 (314 x 229)

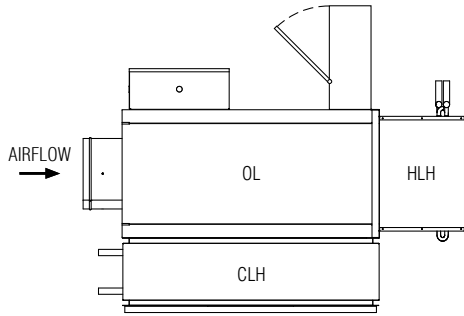
**SCHEDULE TYPE:** \_\_\_\_\_  
**PROJECT:** \_\_\_\_\_  
**ENGINEER:** \_\_\_\_\_  
**CONTRACTOR:** \_\_\_\_\_

Page 2 of 3.  
Dimensions are in inches (mm).

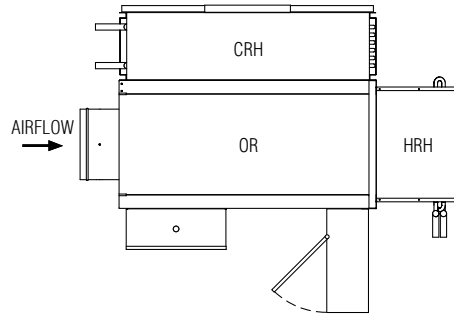
DATE	B SERIES	SUPERSEDES	DRAWING NO
2 - 6 - 23	3300	7 - 20 - 21	33SZ-3



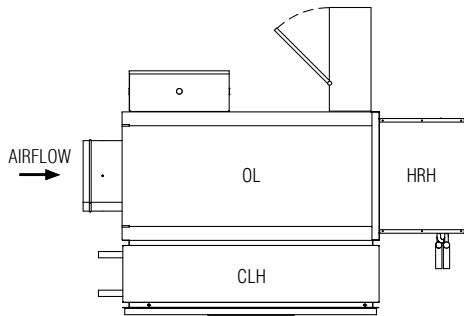
**FAN POWERED CHILLED WATER TERMINAL UNITS  
ORIENTATIONS  
MODELS: 33SZE AND 33SZW  
UNIT SIZES: 10 AND 30 (LOW PROFILE)  
WITH 90° LINE VOLTAGE ENCLOSURE (FN2 OPTION)**



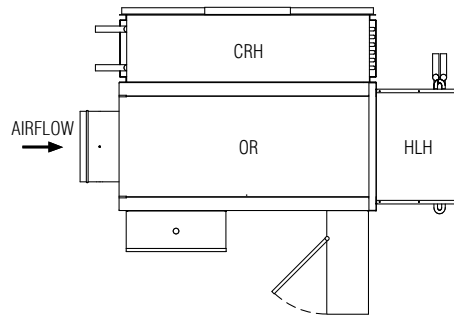
**OL** LEFT HAND CONTROLS  
**CLH** LEFT HAND COOLING COIL CONNECTIONS  
**HLH** LEFT HAND HEATING COIL CONNECTIONS



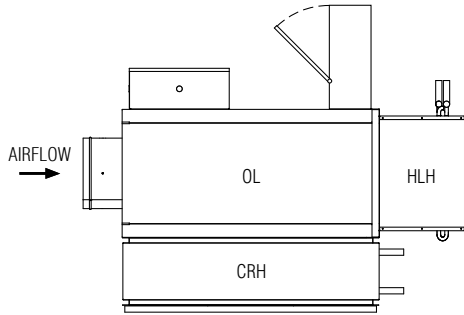
**OR** RIGHT HAND CONTROLS  
**CRH** RIGHT HAND COOLING COIL CONNECTIONS  
**HRH** RIGHT HAND HEATING COIL CONNECTIONS



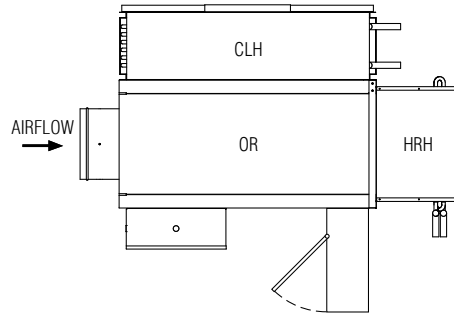
**OL** LEFT HAND CONTROLS  
**CLH** LEFT HAND COOLING COIL CONNECTIONS  
**HRH** RIGHT HAND HEATING COIL CONNECTIONS



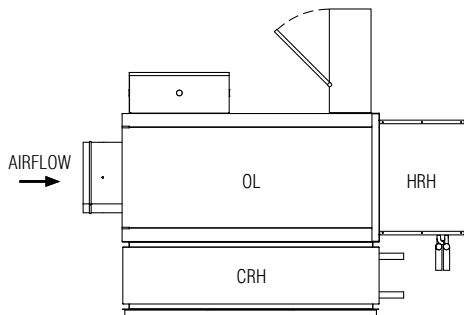
**OR** RIGHT HAND CONTROLS  
**CRH** RIGHT HAND COOLING COIL CONNECTIONS  
**HLH** LEFT HAND HEATING COIL CONNECTIONS



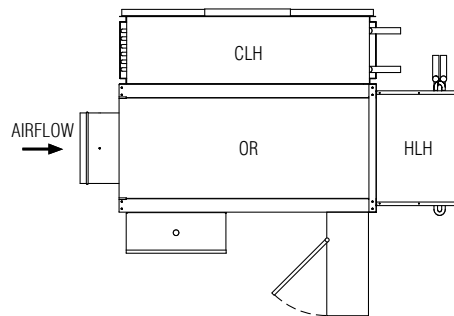
**OL** LEFT HAND CONTROLS  
**CRH** RIGHT HAND COOLING COIL CONNECTIONS  
**HLH** LEFT HAND HEATING COIL CONNECTIONS



**OR** RIGHT HAND CONTROLS  
**CLH** LEFT HAND COOLING COIL CONNECTIONS  
**HRH** RIGHT HAND HEATING COIL CONNECTIONS



**OL** LEFT HAND CONTROLS  
**CRH** RIGHT HAND COOLING COIL CONNECTIONS  
**HRH** RIGHT HAND HEATING COIL CONNECTIONS



**OR** RIGHT HAND CONTROLS  
**CLH** LEFT HAND COOLING COIL CONNECTIONS  
**HLH** LEFT HAND HEATING COIL CONNECTIONS

**SCHEDULE TYPE:**

**PROJECT:**

**ENGINEER:**

**CONTRACTOR:**

Page 3 of 3.

Dimensions are in inches (mm).

**DATE**

**B SERIES**

**SUPERSEDES**

**DRAWING NO**

2 - 6 - 23

3300

7 - 20 - 21

33SZ-3