



FAN POWERED CHILLED WATER TERMINAL UNIT
SENSIBLE COOLING (DOAS) • CONSTANT OR VARIABLE VOLUME
MODELS: 33SZ, 33SZE AND 33SZW
UNIT SIZE: 35 (LOW PROFILE)
WITH 90° LINE VOLTAGE ENCLOSURE (FN2 OPTION)

DESCRIPTION:

- Sensible cooling coil on the induced air inlet handles zone sensible load. Opposite side to controls location. Aluminum ripple fins (10 FPI) and 1/2" (13) copper tubes. Hand of coil connection is determined looking in direction of airflow (RH shown).
- 20 ga. (1.00) galvanized steel construction.
- 16 ga. (1.61) galvanized steel inclined opposed blade damper. 45° rotation. CW to close.
- Ultra-high efficiency ECM fan motor. EPIC fan volume controller.
- 1/2" (13) dual density fiberglass installation, exposed edge coated to prevent air erosion. Meets requirements of NFPA 90A and UL 181.
- Access panels top and bottom.
- Multi-point averaging Diamond Flow Sensor. Supplied with balancing tees.
- Discharge opening designed for flanged duct connection.
- Single point electrical connection.
- Low voltage NEMA 1 type enclosure for factory mounted DDC controls.
- FN2 line voltage enclosure incorporates a hinged access door opening upstream that helps ensure NEC clearance requirements and reduces footprint.
- Controls mounted as standard on RH side as shown. Unit size 35 ordered with LH controls (optional) is inverted and discharge duct hanging elevation will therefore change.
- Galvanized steel drip pan integral to sensible coil.

OPTIONS:

CW Coil:

- 2-Row 4-Row
- 6-Row 8-Row
- Condensate Sensor

Coil Connections:

- Right Hand (Default)
- Left Hand

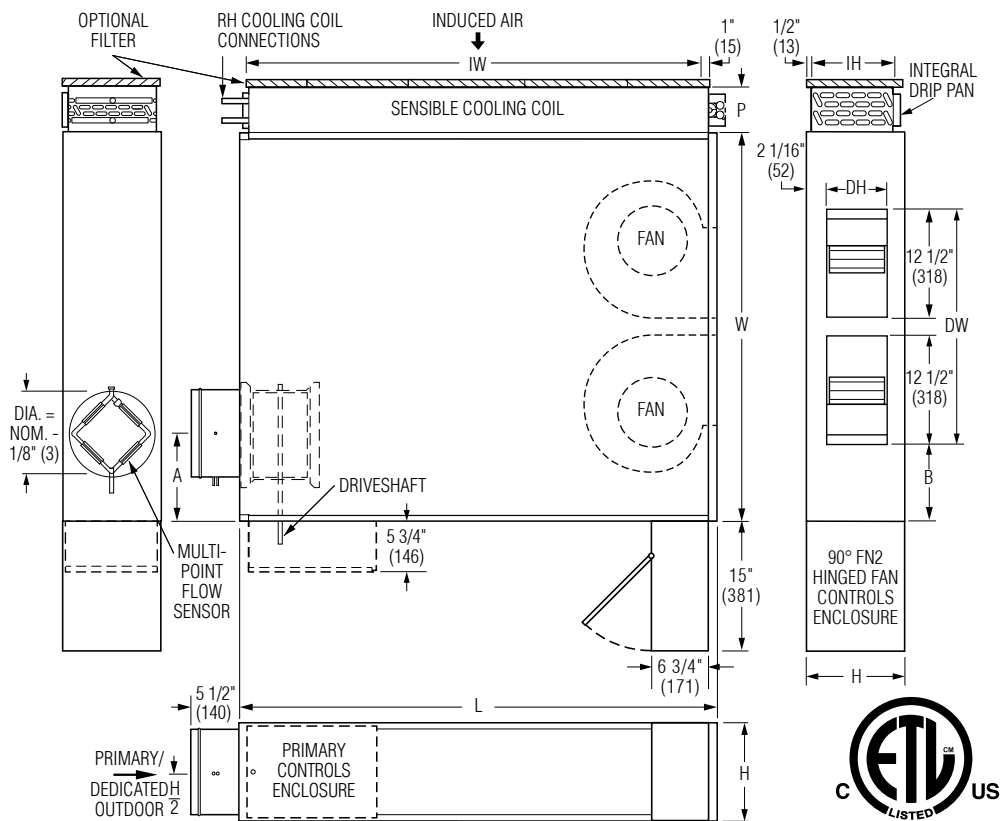
Liner:

- Fiber-free
- Steri-liner
- Steri-liner + Perforated metal
- Perforated metal
- Solid metal

Filter:

- 1" (25) Throwaway
- 2" (51) Pleated MERV 8
- 2" (51) Pleated MERV 13
- Ducted Return Filter Rack (See submittal 33SZ-FR)

Model 33SZ • Basic Unit



Intertek

Dimensional Data

Unit Size	Inlet Size	W	H	L	A	B	Cooling Coil IW x IH	P	Outlet Discharge DW x DH	Filter Size
35	4, 5, 6, 8, 10 (102, 127, 152, 203, 254)	44 (1118)	11 (279)	54 (1372)	8 (203)	8 1/2 (216)	50 x 10 (1270 x 254)	2 Row: 5 1/8 (130) 4 Row: 7 5/16 (186) 6 Row: 9 1/2 (241) 8 ROW: 11 1/2 (292)	27 x 6 7/8 (686 x 175)	2@ 26 x 11 (660 x 279)

Electrical Data

Unit Size	EPIC ECM Motor FLA				
	Motor HP	120V	208V	240V	277V
35	*	9.4	6.3	6.1	5.8

CW Coil O.D. Sweat Connections

Unit Size	No. of Row
35	2, 4, 6 & 8
35	7/8" (22)



* The EPIC ECM is a variable horsepower motor.
Refer to Selectworks schedule for actual power consumption.
FLA = Full load amperage. All motors are single phase/60 Hz.

Electrical:

- LH Controls enclosure
- Toggle disconnect switch.
- FN3 – Remote line voltage enclosure.
- Motor fusing.

Other:

- Cross Flow Sensor
- Hanger brackets
- 1/4-turn Fasteners (access panel)
- Induced Air Silencer (See submittal 33SZ-DSI)
- Induced Air Silencer Elbow (See submittal 33SZ-DSIE)

Seismic Certification:

- Seismic Source International (Standard)
- HCAI (formerly OSHPD, California)
- Special Features:

SCHEDULE TYPE:

PROJECT:

ENGINEER:

CONTRACTOR:

Page 1 of 3; For heat options; see page 2.
Dimensions are in inches (mm).

DATE

B SERIES

SUPERSEDES

DRAWING NO.

11 - 6 - 23

3300

8 - 3 - 23

33SZ-3A



FAN POWERED CHILLED WATER TERMINAL UNIT
SENSIBLE COOLING (DOAS) • CONSTANT OR VARIABLE VOLUME
MODELS: 33SZ, 33SE AND 33SZW
UNIT SIZE: 35 (LOW PROFILE)
WITH 90° LINE VOLTAGE ENCLOSURE (FN2 OPTION)

Hot Water Coil Section
Model 33SZW

Standard Features:

- Coil section installed on unit discharge.
- Coil (and header on multi-circuit units) is installed in insulated casing for increased thermal efficiency.
- 1/2" (13) copper tubes.
- Aluminum ripple fins (10 FPI)
- Sweat Connections: One row: 1/2" (13) O.D. male solder. Two row: 5/8" (16) O.D. male solder
- Flanged outlet duct connection.

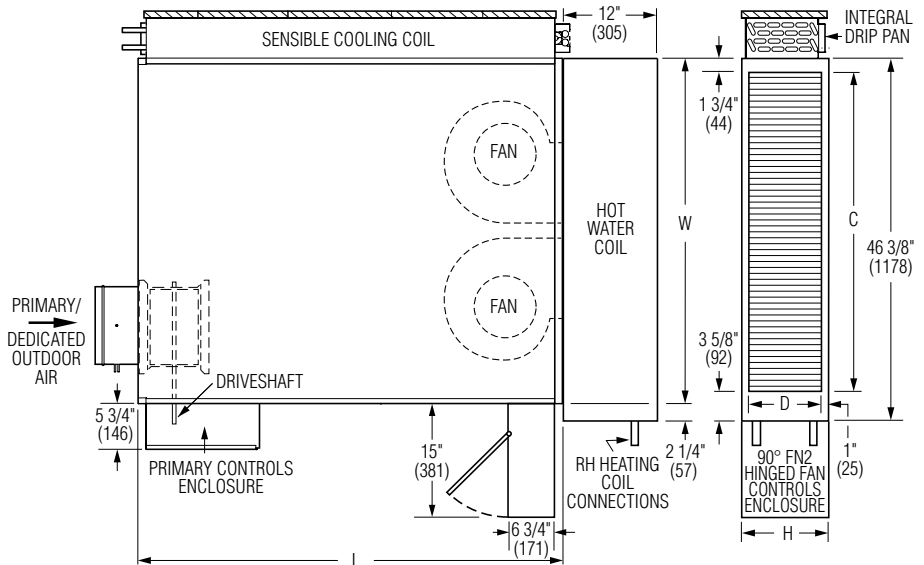
Coil Rows:

- 1-Row 2-Row

Coil Hand Connections:

- (Looking in direction of airflow).
 Right Hand (illustrated). Standard.
 Left Hand. Optional.

Heating coil, sensible coil and controls enclosure orientation must all be specified separately.



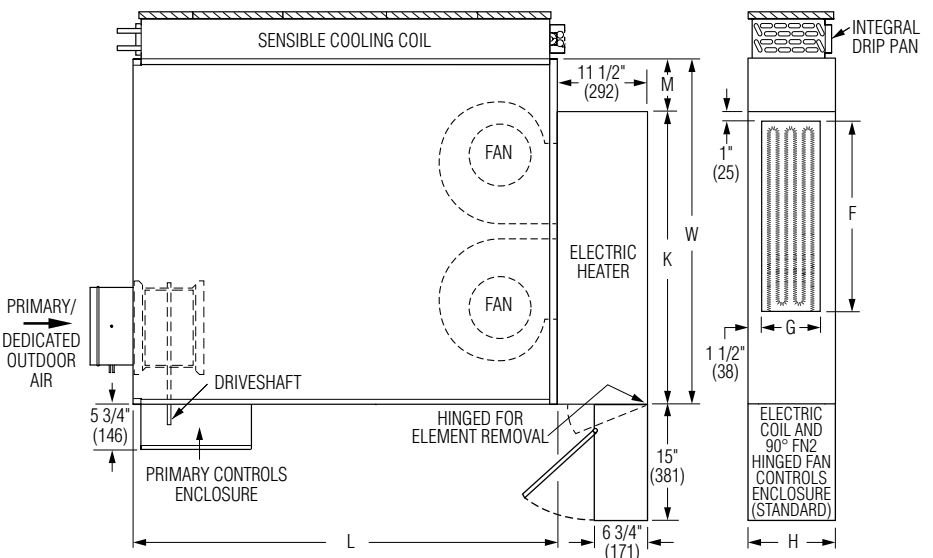
Dimensional Data

Unit Size	W	H	L	E	Outlet Duct Size C x D
35	44 (1118)	11 (279)	54 (1372)	46 3/8 (1178)	41 x 9 (1041 x 229)

Electric Coil Section
Model 33SE

Standard Features:

- Unique hinged heater design permits easy access, removal and replacement of heater element without disturbing ductwork.
- Coil installed on unit discharge.
- Insulated coil element wrapper.
- Automatic reset high limit cut-outs (one per element).
- Single point electrical connection for entire terminal unit.
- Magnetic contactors per stage.
- Class A 80/20 Ni/Cr wire.
- Electronic Fan Interlock Relay.
- Flanged outlet duct connection.
- Terminal unit with coil is ETL listed as on assembly.
- Controls mounted as standard on RH side as shown. Terminals ordered with L.H. controls (optional) are inverted.



Dimensional Data

Unit Size	W	H	L	K	M	Outlet Duct Size F x G
35	44 (1118)	11 (279)	54 (1372)	37 3/8 (949)	6 5/8 (168)	25 x 8 (635 x 203)

Voltage:

Single phase, 60 Hz.

- 120V 208V
 240V 277V

Three phase, 60 Hz.

- 208V 480V (4 wire wye)
 600V (dual point connection)

Electric Coil Options:

- SCR control.
- SCR control with discharge temperature control.
- Toggle disconnect (includes fan).
- Door interlock disconnect switch.
- Quiet contactors.
- Main line fusing.
- Dust tight construction.
- Manual Reset secondary thermal cut out.
- Positive Pressure airflow switch.

SCHEDULE TYPE:

PROJECT:

ENGINEER:

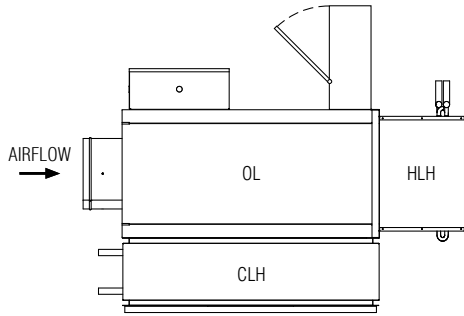
CONTRACTOR:

Page 2 of 3.
 Dimensions are in inches (mm).

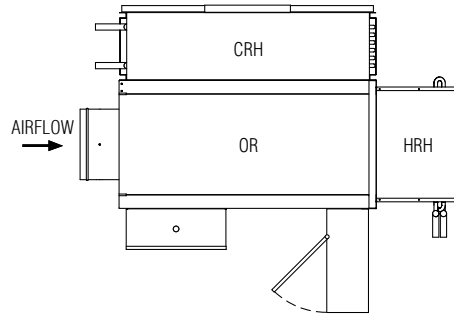
DATE	B SERIES	SUPERSEDES	DRAWING NO
11 - 6 - 23	3300	8 - 3 - 23	33SZ-3A



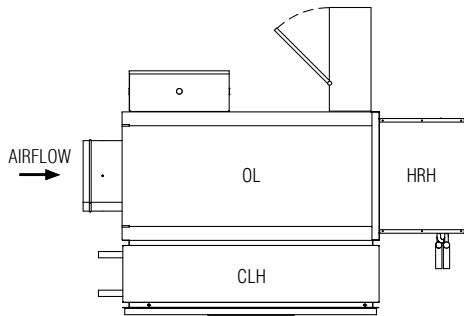
**FAN POWERED CHILLED WATER TERMINAL UNITS
ORIENTATIONS
MODELS: 33SZE AND 33SZW
UNIT SIZE: 35 (LOW PROFILE)
WITH 90° LINE VOLTAGE ENCLOSURE (FN2 OPTION)**



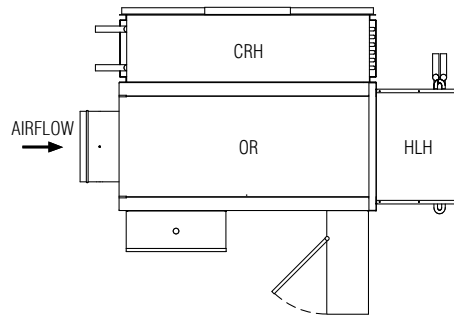
OL LEFT HAND CONTROLS
CLH LEFT HAND COOLING COIL CONNECTIONS
HLH LEFT HAND HEATING COIL CONNECTIONS



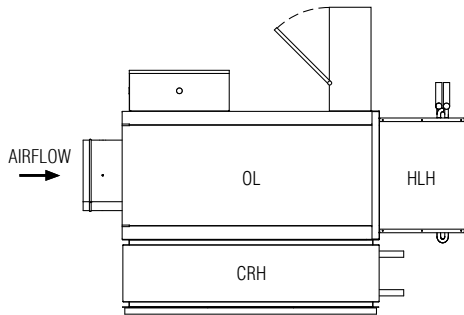
OR RIGHT HAND CONTROLS
CRH RIGHT HAND COOLING COIL CONNECTIONS
HRH RIGHT HAND HEATING COIL CONNECTIONS



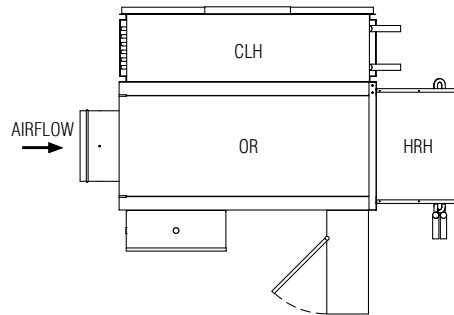
OL LEFT HAND CONTROLS
CLH LEFT HAND COOLING COIL CONNECTIONS
HRH RIGHT HAND HEATING COIL CONNECTIONS



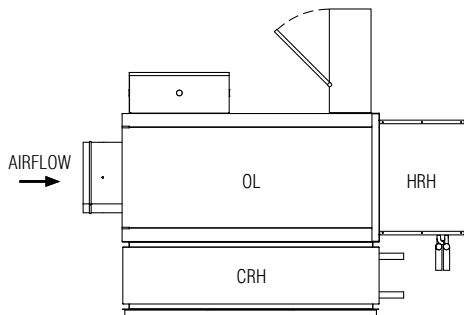
OR RIGHT HAND CONTROLS
CRH RIGHT HAND COOLING COIL CONNECTIONS
HLH LEFT HAND HEATING COIL CONNECTIONS



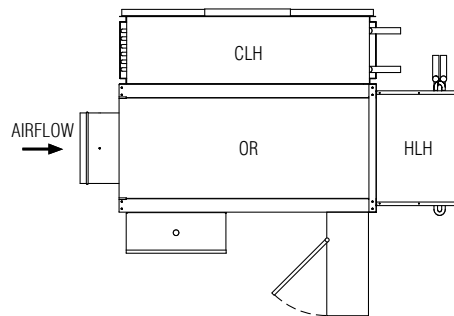
OL LEFT HAND CONTROLS
CRH RIGHT HAND COOLING COIL CONNECTIONS
HLH LEFT HAND HEATING COIL CONNECTIONS



OR RIGHT HAND CONTROLS
CLH LEFT HAND COOLING COIL CONNECTIONS
HRH RIGHT HAND HEATING COIL CONNECTIONS



OL LEFT HAND CONTROLS
CRH RIGHT HAND COOLING COIL CONNECTIONS
HRH RIGHT HAND HEATING COIL CONNECTIONS



OR RIGHT HAND CONTROLS
CLH LEFT HAND COOLING COIL CONNECTIONS
HLH LEFT HAND HEATING COIL CONNECTIONS

SCHEDULE TYPE:

PROJECT:

ENGINEER:

CONTRACTOR:

Page 3 of 3.

Dimensions are in inches (mm).

DATE

B SERIES

SUPERSEDES

DRAWING NO

11 - 6 - 23

3300

8 - 3 - 23

33SZ-3A