



**HAND LOCKING QUADRANT**  
 FOR USE WITH MANUAL BALANCING AND AIR CONTROL DAMPERS  
**MODEL: CDQUAD (HLQ DAMPER ACCESSORY OPTION)**

**DESCRIPTION:**

The Nailor CDQUAD/HLQ Hand Locking Quadrant is primarily designed for use with the Nailor Multi-Blade 1800 Series Manual Balancing Dampers, 1000, 1100 and 2000 Series Control Dampers.

It mounts directly over a 1/2" (13) dia. lock-on drive shaft or a rigid 1/2" (13) dia. drive shaft and is secured with a carriage bolt.

The CDQUAD is provided with pre-drilled mounting holes for convenient installation and the design ensures that the mounting screws do not interfere with any damper side linkage that may be hidden inside the damper frame channel.

**MATERIAL:**

16 ga. (1.6) galvanized steel 1" (25) stand-off mounting bracket.

Plated steel quadrant and hardware.

Celcon® bearings.

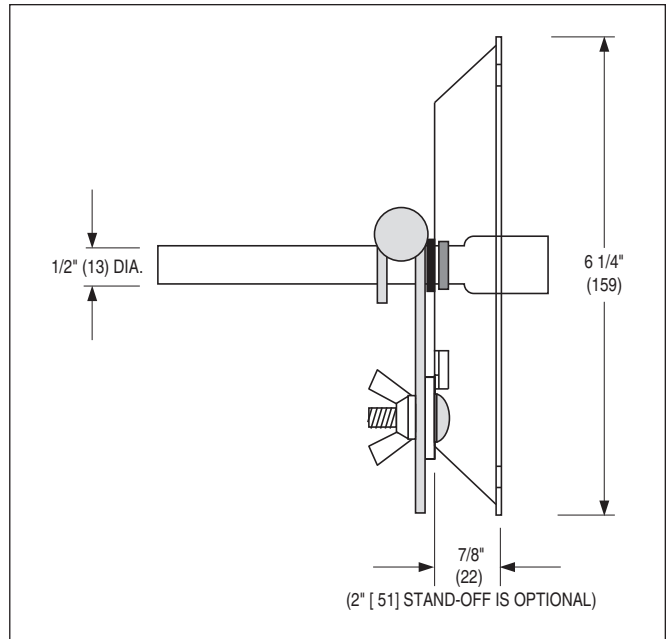
**OPTIONS:**

Accessory when ordered with damper:

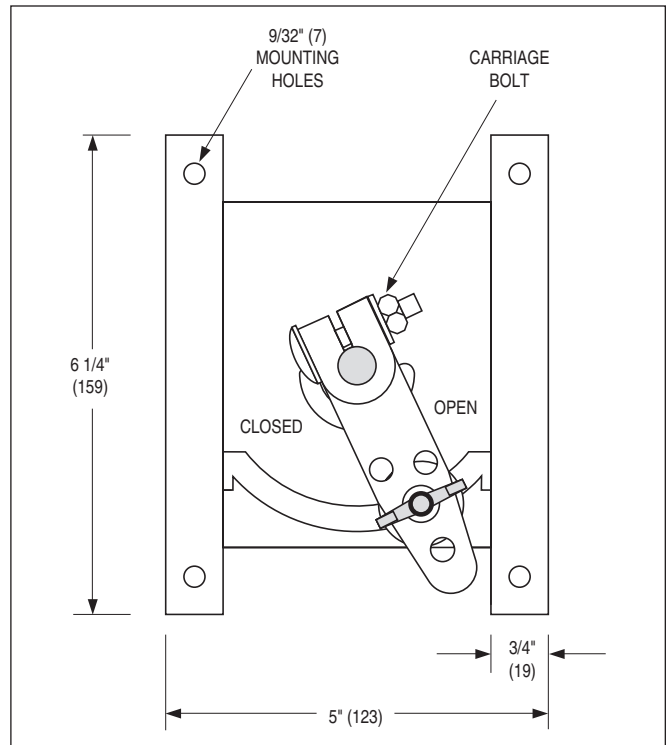
- HLQ2 Hand-locking Quadrant with 2" (51) stand-off bracket.

Order separately (by model number):

- CDQUAD NI CD Hand-locking Quadrant - 1/2" (13) dia. shaft.
- CDQUAD2 NI CD Hand-locking Quadrant - 1/2" (13) dia. shaft with 2" (51) stand-off bracket.
- CDQUADSS NI CD Hand-locking Quadrant - 1/2" (13) dia. shaft, Type 304 stainless steel.
- CDQUAD2SS NI CD Hand-locking Quadrant - 1/2" (13) dia. shaft with 2" (51) stand-off bracket, Type 304 stainless steel.



**SIDE VIEW OF HAND QUADRANT**



**FACE VIEW OF HAND QUADRANT**

<b>SCHEDULE TYPE:</b>				
<b>PROJECT:</b>				
Dimensions are in inches (mm)				
<b>ENGINEER:</b>	<b>DATE</b>	<b>B SERIES</b>	<b>SUPERSEDES</b>	<b>DRAWING NO.</b>
<b>CONTRACTOR:</b>	12 - 1 - 23	1800	10 - 5 - 99RR	1800-QUAD