



BRICK VENTS
EXTRUDED ALUMINUM WITH FLANGE
1 1/4" (32) DEEP
MODEL 16BVF

Nailor 16BV Series Brick Vents provide a permanent, secure means of ventilating foundations, crawl spaces and other utility areas. Model 16BVF features corrosion resistant extruded aluminum construction with a flanged frame that is ideal for use in renovations or existing openings. The 1" (25) flange provides an attractive finished appearance that conceals any rough edges in the opening. Overlapping blades with storm lip exhibit a 35% free area and, combined with a rear frame water stop, minimize water penetration. A full width weepage opening allows water to drain from vent face. Standard insect screen prevents unwanted pests from entering through the vent.

STANDARD CONSTRUCTION:

- FRAME:** 1 1/4" (32) deep, with integral 1" (25) flange, Type 6063-T5 extruded aluminum, .125" (3.18) nominal wall thickness.
- BLADES:** 1" (25) deep on 1" (25) centers, Type 6063-T5 extruded aluminum, .125" (3.18) nominal wall thickness, fixed at 45 degrees, with integral storm lip.
- SCREEN:** 18 x 14 mesh aluminum insect screen.
- FINISH:** 204-R1 clear anodized finish. Optional finishes are available.

STD. SIZES: Width x Height

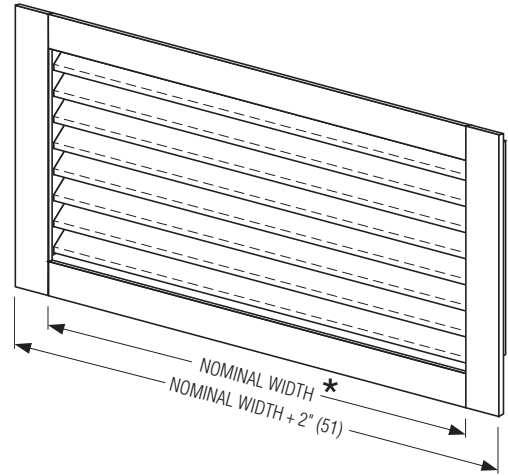
8 1/8" x 2 3/8" (206 x 60)	16 1/2" x 2 3/8" (419 x 60)
8 1/8" x 4 3/4" (206 x 121)	16 1/2" x 4 3/4" (419 x 121)
8 1/8" x 7 3/4" (206 x 197)	16 1/2" x 7 3/4" (419 x 197)
12" x 4 3/4" (305 x 121)	16 1/2" x 15 3/4" (419 x 400)
12" x 7 3/4" (305 x 197)	24" x 4 3/4" (610 x 121)
12" x 11 3/4" (305 x 298)	24" x 7 3/4" (610 x 197)
15 5/8" x 7 3/4" (397 x 197)	32" x 7 3/4" (813 x 197)
15 5/8" x 15 3/4" (397 x 400)	48" x 7 3/4" (1219 x 197)

NOTE: **Widths** do not include blade fasteners (add 1/4" (6)).

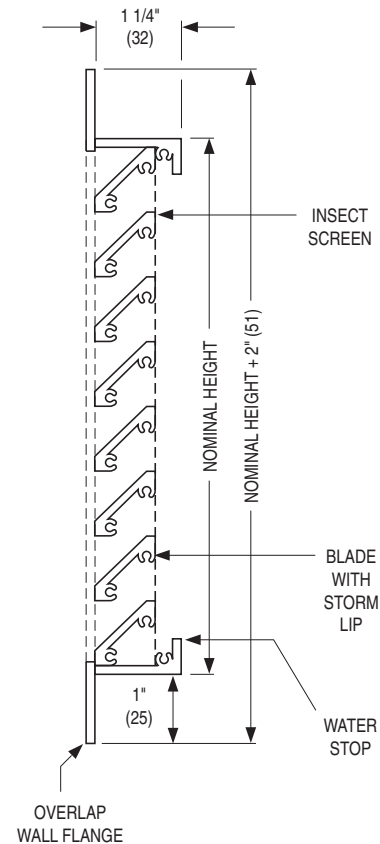
Non-standard sizes are available. Contact factory.

OPTIONS:

- DSB** Damper (single blade) with exterior set-screw operator.
- ES** Extended Sleeve.
- BEF** Baked Enamel Finish. Color: _____ .
- KYF** Kynar 500® Finish. Color: _____ .
- ANC** Color Anodized Finish. Color: _____ .



* Add 1/4" (6) to nominal width for screwheads.



SCHEDULE TYPE:	
PROJECT:	
ENGINEER:	
CONTRACTOR:	

Dimensions are in inches (mm).

DATE	B SERIES	SUPERSEDES	DRAWING NO.
11 - 21 - 03	1600	11 - 4 - 03	16BVF-1