



**CURTAINWALL/WINDOW GLAZING ADAPTOR
EXTRUDED ALUMINUM
OPTION CODE: GA**

APPLICATION:

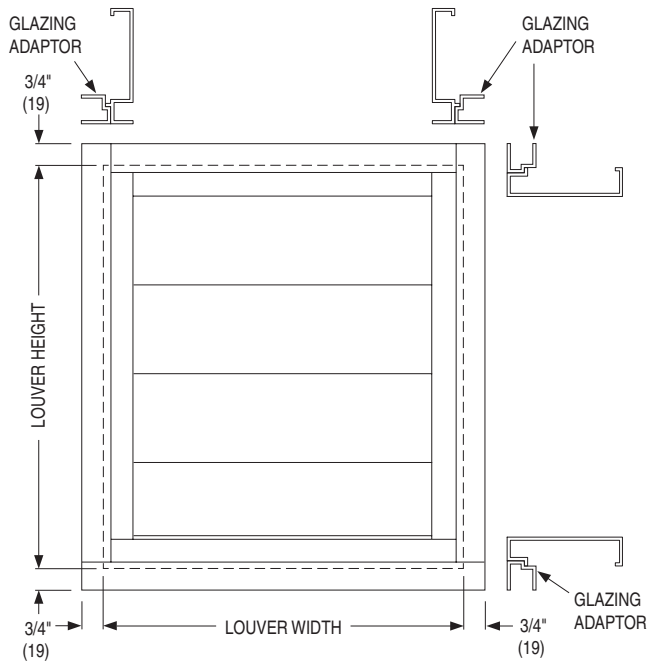
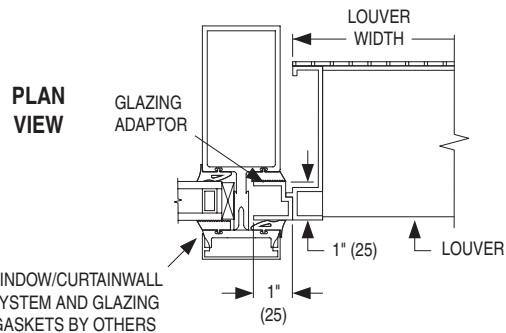
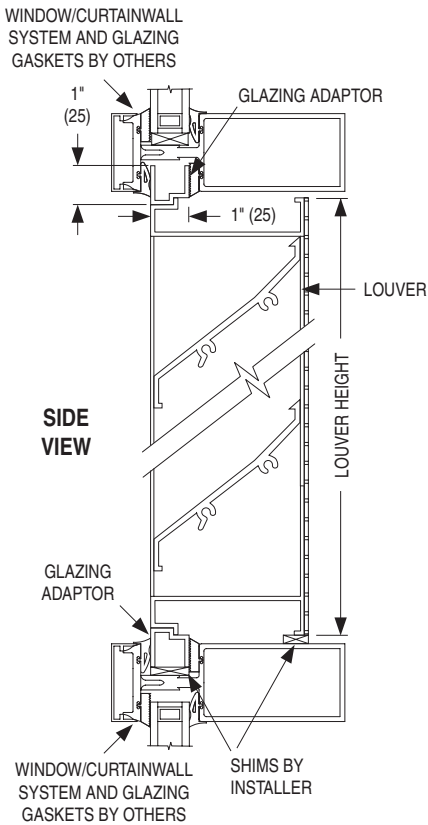
Glazing adaptor for louver installation in common curtainwall and window systems. The 1" (25) deep adaptor is factory installed onto louver frame and is suitable for use on 2" (51), 4" (102) and 6" (152) deep extruded aluminum louver models.

STANDARD CONSTRUCTION:

MATERIAL: Type 6063-T6 extruded aluminum, .081" (2.06) nominal thickness.

FINISH: Mill.

TYPICAL INSTALLATION:



SCHEDULE TYPE:	Dimensions are in inches (mm)			
PROJECT:				
ENGINEER:	DATE	B SERIES	SUPERSEDES	DRAWING NO.
CONTRACTOR:	2 - 17 - 22	1600	7 - 11 - 13	1600GA