



**COMBINATION FIRE/SMOKE DAMPER**  
 1 1/2 HOUR LABEL • LEAKAGE CLASS I OR II  
 ROUND DUCT CONNECTION  
**MODEL: 1273**  
**(TYPE C SLEEVE ENCLOSURE)**



**QUALIFICATIONS:**

- **UL 555 & CAN/ULC-S112 CLASSIFIED DYNAMIC FIRE DAMPER** 1 1/2 hr. Label (File # R9492).
- **UL 555S CLASSIFIED SMOKE DAMPER** (File # R9492) Leakage Class I or II at 250°F or 350°F elevated temperature.
- **California State Fire Marshal: Fire Damper Listing No. 3225-0935:106.**
- **City of New York Board of Standards and Appeals. Cal. No. 460-88-SA.**
- **Meets NFPA 80, 90A, 92A, 92B, 101 and 105 as well as IBC and NBC (Canada) Building Code requirements.**
- **Maximum velocity 2000 fpm @ 4" w.g.**

The 1270 Series dampers are ideal for applications where building codes require both a fire damper for the protection of ductwork penetrations in walls or floors that have a fire resistance rating of up to 2 hours and also require a leakage rated damper for operational smoke control in static or dynamic smoke management systems.

The 1270 Series has been especially designed and tested to offer a rugged cost effective damper well suited to the majority of commercial applications.

**STANDARD SPECIFICATION:**

- Frame:** 5" x 7/8" x 16 ga. (127 x 22 x 1.6) galvanized steel hat channel.
- Blades:** 6" (152) wide on 5 1/2" (140) centers. 16 ga. (1.6) galvanized steel vee groove or double-skin design.
- Linkage:** Concealed in frame. 12 ga. (2.7) plated steel.
- Bearings:** 1/2" (13) dia. self-lubricating oilite bronze.
- Axles:** 1/2" (13) dia. plated steel bolted to blades.
- Jackshaft:** 1/2" (13) dia. cadmium plated steel.
- Jamb Seals:** Stainless steel.
- Blade Seals:** Silicone on vee groove blade.

**Heat Responsive Device (Controlled Closure):**

ERL (Electric Resettable Link) is standard on dampers with electric actuators: 250°F (121°C) standard. 165°F (74°C), 212°F (100°C) and 350°F (176°C) available.

PRL (Pneumatic Replaceable Link) is standard on dampers with pneumatic actuators: 212°F (100°C) standard. 165°F (74°C) and 280°F (138°C) available.

**Min. Duct Size:** Vertical or Horizontal mount: 4" (102) diameter. (Overall damper size is 8" x 8" [203 x 203] min.).

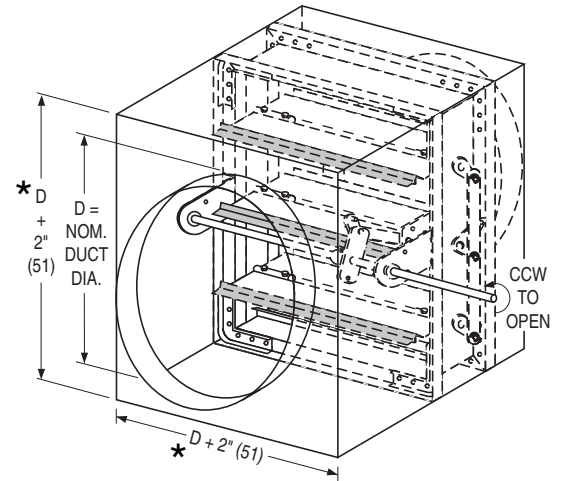
**Max. Duct Size:** Single Section  
 Vertical mount: 34" (864) diameter.  
 Horizontal mount: 28" (711) diameter.  
 Multiple Section Assembly  
 Vertical mount: 46" (1168) diameter.  
 Horizontal mount: 38" (965) diameter.

**SLEEVE/ENCLOSURE SELECTION:**

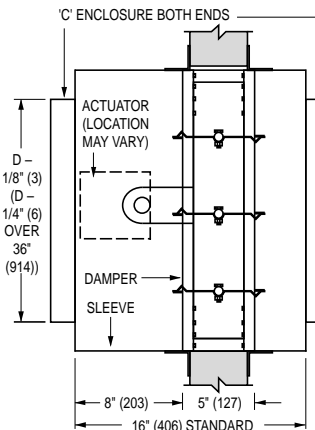
- 1273** Standard factory sleeve (caulked to UL requirements) 16" long x 20 ga. (406 x 1.0).
- 1273** Non-standard sleeve. Specify \_\_\_\_\_ length \_\_\_\_\_ ga. Available up to 36" (914) dependent upon wall thickness and 10 through 20 ga. (3.5 through 1.0).

**LEAKAGE CLASS / ELEVATED TEMPERATURE:**

- I     II    @ 250°F (Standard)
- I     II    @ 350°F (Optional)



\* or 8" (203) min.



Wall Thickness	Minimum Sleeve Length
4 (102)	16 (406)
8 (203)	20 (508)
12 (305)	24 (610)
16 (406)	28 (711)

**ACTUATOR SELECTION:**

- Electric**     **Pneumatic**    Specify model \_\_\_\_\_.

**ACTUATOR LOCATION :**

- External** (std.)     **Internal** (in the airstream)

**ACTUATOR FAIL POSITION:** Closed.

**OPTIONS:**

- BS**    Stainless steel bearings
- MLS-300**    Position indicator switch pack
- MLS-400**    Electric Fire Sensor (Re-openable control system). Includes dual heat sensors (165°F and 250°F or 350°F) and position indicator switch pack.
- QS1**    Quick-set retaining angle (one side)
- QS2**    Quick-set retaining angles (two sides)

For installation instructions, see IOM-1270INST.

<b>SCHEDULE TYPE:</b>	Dimensions are in inches (mm).			
<b>PROJECT:</b>				
<b>ENGINEER:</b>	<b>DATE</b>	<b>B SERIES</b>	<b>SUPERSEDES</b>	<b>DRAWING NO.</b>
<b>CONTRACTOR:</b>	4 - 28 - 11	1200	8 - 21 - 08	1270-3