



SMOKE DAMPER
LEAKAGE CLASS I OR II
STEEL • VEE BLADE
ROUND DUCT CONNECTION
MODEL: 1263 (TYPE C SLEEVE ENCLOSURE)



QUALIFICATIONS:

- **UL 555S CLASSIFIED SMOKE DAMPER (File # R9492)** Leakage Class I or II at 250°F or 350°F elevated temperature.
- **Meets NFPA 90A, 92, 101 and 105 as well as IBC and NBC (Canada) Building Code requirements.**
- **City of New York. Board of Standards and Appeals. Cal. No. 460-88-SA.**
- **California State Fire Marshal: Fire Damper Listing No. 3225-0935:0107.**
- **Maximum velocity: 2000 fpm @ 4" w.g. (10 m/s @ 1 kPa).**

Model Series 1260 Dampers are ideal for applications where building codes require a leakage rated smoke damper as part of a static smoke control or dynamic smoke management system. The 1260 Series has been designed and tested to offer a rugged cost effective damper well suited to the majority of commercial applications. Qualified for vertical or horizontal installation with airflow in either direction.

STANDARD CONSTRUCTION:

- Frame:** 5" x 7/8" x 16 ga. (127 x 22 x 1.6) galvanized steel hat channel.
- Blades:** 6" (152) wide on 5 1/2" (140) centers. 16 ga. (1.6) galvanized steel vee groove or double-skin design.
- Linkage:** Concealed in frame. 12 ga. (2.7) plated steel.
- Bearings:** 1/2" (13) dia. self-lubricating oilite bronze.
- Axles:** 1/2" (13) dia. plated steel double bolted to blades.
- Jackshaft:** 1/2" (13) dia. plated steel.
- Jamb Seals:** Stainless steel.
- Blade Seals:** Silicone on vee groove blade.

Round Duct Connection Sizes (Duct Dia.):

Velocity/ Pressure Rating	Elevated Temp. °F	Minimum		Maximum	
		Single Section	Single Section	Multiple Section	
		Vertical/Horizontal	Vertical/Horizontal	Vertical/Horizontal	Vertical/Horizontal
24	250/350	4" (102) dia. Overall damper size is 8" x 8" (203 x 203) min.	34" (864) dia.	46" (1168) dia.	

Notes: Dampers with duct heights less than 8" (203) require a Type 'B' sleeve enclosure (Model 1262). Units less than 8" (203) in width require a Type 'C' enclosure (Model 1263).

BASE MODEL SELECTION:

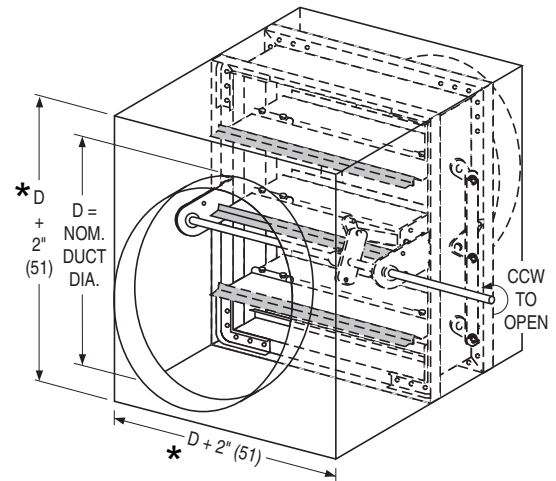
- 1263** Standard factory sleeve (caulked to UL requirements) 16" long x 20 ga. (406 x 1.0).
- 1263** Non-standard sleeve. Specify _____ length _____ ga. Available up to 36" (914) dependent upon wall thickness and 10 through 20 ga. (3.5 through 1.0).

LEAKAGE CLASS / ELEVATED TEMPERATURE:

- I** **II** @ 250°F (Standard)
- I** **II** @ 350°F (Optional)

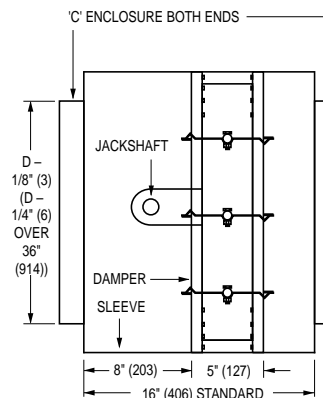
DYNAMIC VELOCITY/PRESSURE RATING:

- 24** 2000 fpm @ 4" w.g. (Standard)



* or 8" (203) min.

STYLE CR : FOR ROUND DUCT



Wall Thickness	Minimum Sleeve Length
4 (102)	16 (406)
8 (203)	20 (508)
12 (305)	24 (610)
16 (406)	28 (711)

ACTUATOR SELECTION:

- Electric** **Pneumatic** Specify model _____.

ACTUATOR LOCATION:

- External (std.)** **Internal (in the airstream)**

ACTUATOR FAIL POSITION:

- Normally Closed (std.)** **Normally Open**

OPTIONS:

- BS** Stainless steel bearings
- MLS-300** Position indicator switch package
- DSDL** Low Flow Smoke Detector
- DSDN** No Flow Smoke Detector
- Special features** _____.

For installation instructions, see IOM-SDINST.
 Dimensions are in inches (mm).

SCHEDULE TYPE:				
PROJECT:				
ENGINEER:	DATE	B SERIES	SUPERSEDES	DRAWING NO.
CONTRACTOR:	4 - 28 - 14	1260	4 - 28 - 11	1260-3