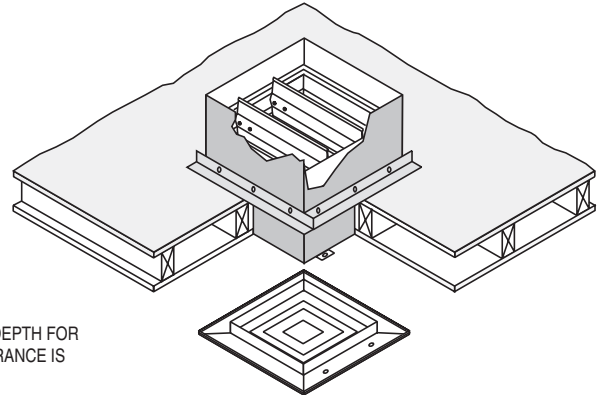
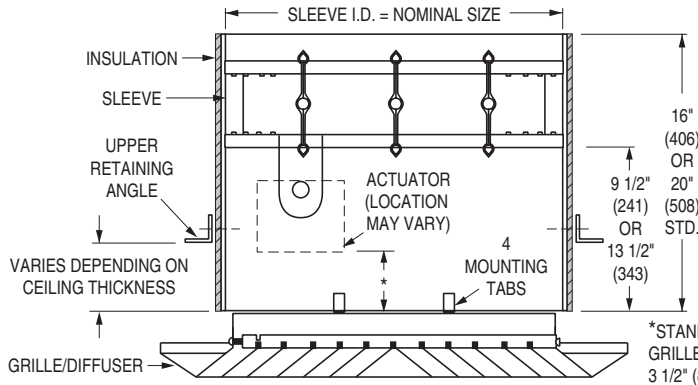




TUNNEL CORRIDOR COMBINATION FIRE/SMOKE DAMPER WITH STEEL GRILLE/DIFFUSER
GRILLE SIDE ACTUATOR ACCESS • 1 HR. LABEL
AIRFOIL BLADE
MODEL: 1221C-4



QUALIFICATIONS:

- **UL 555 CLASSIFIED CORRIDOR DAMPER, 1 hr. Fire Resistance Rating (File # R9492).**
- **UL 555S CLASSIFIED SMOKE DAMPER, Class I at 250°F or 350°F elevated temperature (File # R9492).**
- **California State Fire Marshal Listing No. 3225-0935:106.**
- **Meets the requirements of NFPA 90A, NFPA 92A for Fire/Smoke Dampers**
- **Meets the requirements of City of Los Angeles, Uniform Building Code.**
- **Maximum velocity: 2000 fpm @ 4" w.g.**

STANDARD SPECIFICATION:

- Frame:** 5" x 7/8" x 16 ga. (127 x 22 x 1.6) galvanized steel hat channel.
- Blades:** 14 ga. (2.0) equivalent galvanized steel formed airfoil on 5 1/2" (140) centers. Opposed action.
- Sleeve:** **Damper 16" (406) tall and under:** 20" x 20 ga. (506 x 1.0) galvanized steel.
Damper over 16" (406) tall: 16" x 20 ga. (406 x 1.0) galvanized steel.
- Insulation:** Intumescent thermal insulation on four sides.
- Upper Retaining Angles:** 1 1/2" x 1 1/2" x 16 ga. (38 x 38 x 1.6) galvanized steel (by Nailor). Ship loose.
- Linkage:** Concealed in frame.
- Bearings:** 1/2" (13) dia. self-lubricating oilite bronze.
- Axles:** 1/2" (13) dia. plated steel double bolted to blades.
- Jamb Seals:** Cambered stainless steel.
- Heat Responsive Device (Controlled Closure):**
 ERL (Electric Resettable Link) is std. on dampers with electric actuators: 250°F (121°C) standard. 165°F (74°C), 212°F (100°C) and 350°F (176°C) available.
 PRL (Pneumatic Replaceable Link) is standard on dampers with pneumatic actuators: 212°F (100°C) standard. 165°F (74°C) and 280°F (138°C) available.
- Compatible Steel Supply or Return Air Grille/Diffuser**
 (various models available).

Sizes (Duct W x H):

Minimum	Maximum
8" x 8" (203 x 203)	24" x 24" (610 x 610)

BASE MODEL SELECTION:

- 1221C-4** Standard factory sleeve (caulked to UL req.).
- 1221C-4** Non-standard sleeve. Specify _____ length _____ ga. Contact factory for assistance.

LEAKAGE CLASS / ELEVATED TEMPERATURE:

- I @ 250°F** (Standard)
- I @ 350°F** (Optional)

ACTUATOR SELECTION:

- Electric** **Pneumatic** (Minimum height 20" [508])

Actuators are mounted for Fail Closed (Normally Closed) operation in accordance with code requirements.

ACTUATOR LOCATION:

- In the airstream

OPTIONS:

- BS** Stainless steel bearings.
- MLS-300** Position indicator switch pack.
- DTO** Electric Fire Sensor (Re-openable control system). Includes dual heat sensors (165°F and 250°F or 350°F) and position indicator switch pack.
- UFM Factory mounted upper retaining angles.** Specify overall ceiling thickness: _____ inches (mm).
- SRT Square-to-Round Transition Collar.** (top of damper) Dia. = _____ .

GRILLE/DIFFUSER SELECTION:

- Compatible Steel Supply or Return Grille/Diffuser by Nailor. (see attached submittal dwg. for model selection).
- Grille/Diffuser by others.

SCHEDULE TYPE:	For installation instructions, see IOM-TCOWFSDINST.			
PROJECT:	Dimensions are in inches (mm).			
ENGINEER:	DATE	B SERIES	SUPERSEDES	DRAWING NO.
CONTRACTOR:	6 - 21 - 22	1220C	NEW	1221C-4