



STATIC MULTI-BLADE FIRE DAMPER
 FOR USE IN STATIC SYSTEMS
 3 HR. LABEL • AIRFOIL BLADE
 SQUARE, RECT. OR OVAL DUCT CONNECTION
MODEL: 1203-3 (TYPE C SLEEVE ENCLOSURE)



QUALIFICATIONS:

- **UL 555 & CAN/ULC-S112 CLASSIFIED FIRE DAMPER**
3 hr. Label (File # R9492).
- **Meets NFPA 80, 90A and 101 as well as IBC and NBC (Canada) Building Code requirements.**
- **California State Fire Marshal Listing No. 03225-0935:101.**
- **City of New York. MEA# 366-03-M.**

The 1200-3 Series Dampers are ideal for applications where building codes require a fire damper for the protection of ductwork penetrations in walls or floors that have a fire resistance rating of up to 4 hours.

The 1200-3 Series is classified for use only in static "fans off" systems where the HVAC system is automatically shut down in the event of a fire alarm.

The 1200-3 Series has been especially designed and tested to provide premium performance. Airfoil blade design and elimination of blade sills, top and bottom, provide a low pressure drop design.

The 1200-3 Series features the industry proven over-center knee-lock design with high torque spring/fusible link closure.

Unique, inter-locking double skin blade design provides flame and smoke seal under fire conditions.

The 1200-3 is supplied as standard with an internal locking quadrant which holds the damper in the fully open position, but may also be used for system balancing if required.

STANDARD SPECIFICATION:

Frame: 5" x 7/8" x 16 ga. (127 x 22 x 1.6) galvanized steel hat channel.

Blades: 14 ga. (2.0) equivalent galvanized steel formed airfoil on 5 1/2" (140) centers. Opposed action.

Linkage: Concealed in frame. 12 ga. (2.7) plated steel.

Bearings: 1/2" (13) dia. self-lubricating oilite bronze.

Axles: 1/2" (13) dia. plated steel double bolted to blades.

Jackshaft: 1/2" (13) dia. cadmium plated steel. Internal locking quadrant is factory installed.

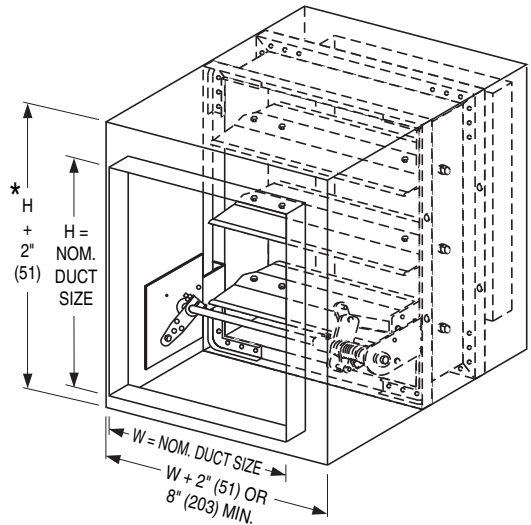
Fusible Link: 165°F (74°C) standard. 212°F (100°C) available.

Min. Duct Size: Vertical or Horizontal mount: 4" x 4" (102 x 102). (Overall damper size is 8" x 8" [203 x 203] min.).

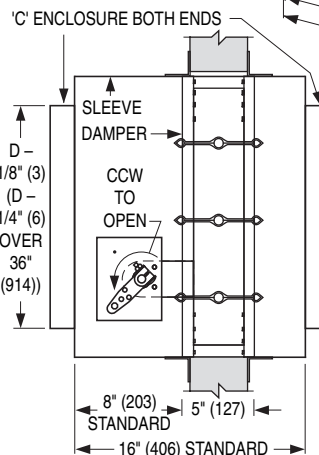
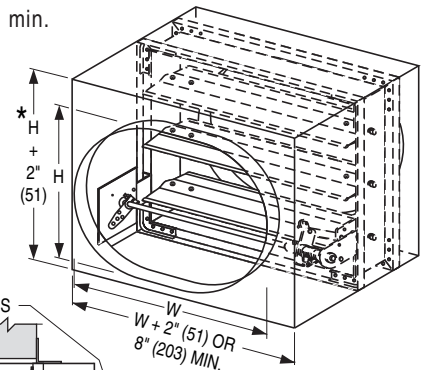
Max. Duct Size: Single Section
 Vertical mount: 34" x 46" (864 x 1168).
 Horizontal mount: 30" x 46" (762 x 1168).
 Multiple Section Assembly
 Vertical mount only: 118" x 94" (2997 x 2388)
 (Individual sections not to exceed 28" x 46" [711 x 1168] duct size).

SLEEVE/ENCLOSURE SELECTION:

- 1203-3** Standard factory sleeve 16" long x 20 ga. (406 x 1.0) (18 ga. [1.3] for dampers over 84" [2134] in width).
- 1203-3** Non-standard sleeve. Specify _____ length _____ ga. Available up to 36" (914) dependent upon wall thickness and 10 through 20 ga. (3.5 through 1.0).



* or 8" (203) min.



Wall Thickness	Minimum Sleeve Length
4 (102)	16 (406)
8 (203)	20 (508)
12 (305)	24 (610)
16 (406)	28 (711)

OPTIONS:

- MLS-300** Position indicator switch pack
- BS** Stainless steel bearings
- JSM** Flexible metal jamb seals
- QS1** Quick-set retaining angle (one side)
- QS2** Quick-set retaining angles (two sides)
- Special features** _____

For installation instructions, see IOM-MBFDINST.

Dimensions are in inches (mm).

SCHEDULE TYPE:				
PROJECT:				
ENGINEER:	DATE	B SERIES	SUPERSEDES	DRAWING NO.
CONTRACTOR:	5 - 10 - 11	1200	NEW	1200-3-4