



STANDARD CONTROL DAMPER STEEL • STANDARD PERFORMANCE MODELS: 1012 & 1022

The 1012/22 Series are Nailor's most widely used unsealed dampers and are the standard choice for use in the majority of low to medium pressure and velocity commercial HVAC systems. They are low cost, high quality dampers that meet or exceed the majority of standard specification requirements. The design features include a sturdy hat channel frame with die-formed corner gussets for reinforcement and structural strength equivalent to 13 gauge channel type frames, a vee groove blade design that maximizes strength and zero maintenance concealed linkage (out of the air stream) for reduced pressure drop and air turbulence.

STANDARD CONSTRUCTION:

- Frame:** 5" x 7/8" x 16 ga. (127 x 22 x 1.6) galvanized steel hat channel with die-formed corner gussets. Low profile (flat top and bottom) on dampers 10" (254) high and under.
- Blades:** 6" (152) wide on 5 1/2" (140) centers. 16 ga. (1.6) galv. steel vee groove design. Parallel or opposed action.
- Linkage:** Concealed type totally enclosed within the frame and out of the airstream. Plated steel.
- Bearings:** 1/2" (13) dia. Celcon®.
- Axles:** 1/2" (13) dia. plated steel double bolted to blades.
- Drive Shaft:** 6" (152) long x 1/2" (13) dia. lock-on drive shaft on all single section dampers. A 1/2" (13) or 1" (25) dia. factory installed jackshaft is standard on all multiple section dampers. See multi-section detail 1000 MSI.

Temperature Range: -50°F to +180°F (-46°C to +82°C).

Sizes (Duct W x H):

Minimum		Maximum	
Single Section		Single Section	Multiple Section
Single Blade 6" x 4" (152 x 102)	Two Blades (parallel or opposed) 8" x 10" (203 x 254)	48" x 72" (1219 x 1829)	Unlimited

OPTIONS:

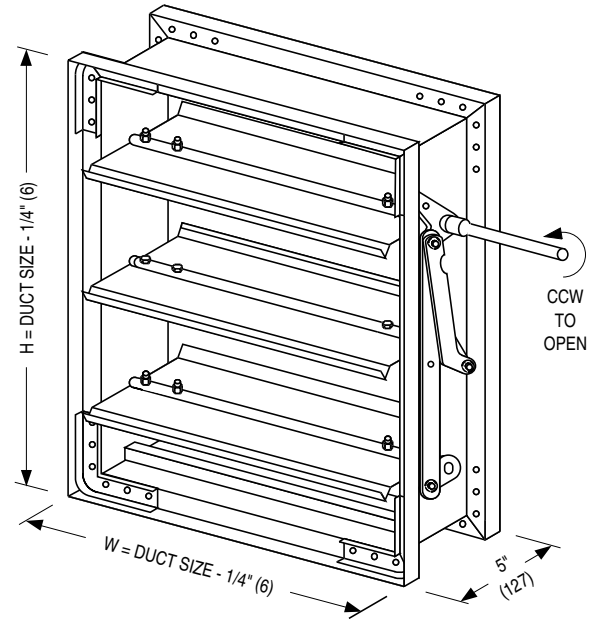
- BO** Oilite bearings
- 304** Stainless Steel construction
- AMP** Actuator mounting side plate
- BSP** Polyurethane foam blade seals
- JSM** Metallic jamb seals
- Other _____

Nailor offers a wide selection of pneumatic and electric actuators for factory or field installation.

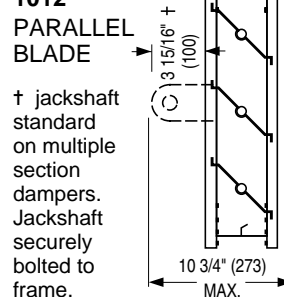
Performance Data - Air Leakage (Damper Closed)

Damper Width	Maximum System Pressure	Maximum System Velocity	Leakage* Without Seals		Leakage* With Seals	
			% of Max. Flow	Cfm/Sq. Ft.	% of Max. Flow	Cfm/Sq. Ft.
48" (1219)	2.5" w.g.	2000 fpm	1.90	38	.48	9.5
36" (914)	3.0" w.g.	2000 fpm	2.15	43	.54	10.8
24" (610)	4.0" w.g.	2000 fpm	2.35	47	.57	11.3
12" (305)	5.0" w.g.	2000 fpm	3.10	62	.80	16.0

* Leakage information is based upon a pressure differential of 1" w.g. tested per AMCA Standard 500-D, Fig. 5.5.

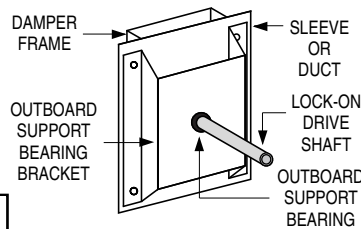
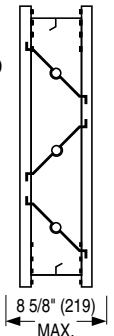


MODEL 1012 PARALLEL BLADE



† jackshaft standard on multiple section dampers. Jackshaft securely bolted to frame.

MODEL 1022 OPPOSED BLADE



Lock-on drive shaft support bracket detail.

The low profile frame illustrated is used to maximize free area available on units 10" (254) high and under.

Pressure Drop (in. w.g.)

Damper Size	Approach Velocity (fpm)			
	750	1000	1500	2000
24" x 24" (610 x 610)	.016	.030	.07	.14
36" x 36" (914 x 914)	.013	.023	.05	.09
48" x 48" (1219 x 1219)	.010	.020	.03	.07

Tested per AMCA Standard 500-D, Fig. 5.3.

SCHEDULE TYPE:

PROJECT:

ENGINEER:

CONTRACTOR:

Dimensions are in inches (mm).

DATE

C SERIES

SUPERSEDES

DRAWING NO.

12 - 4 - 12

1000

6 - 30 - 04

1000-2