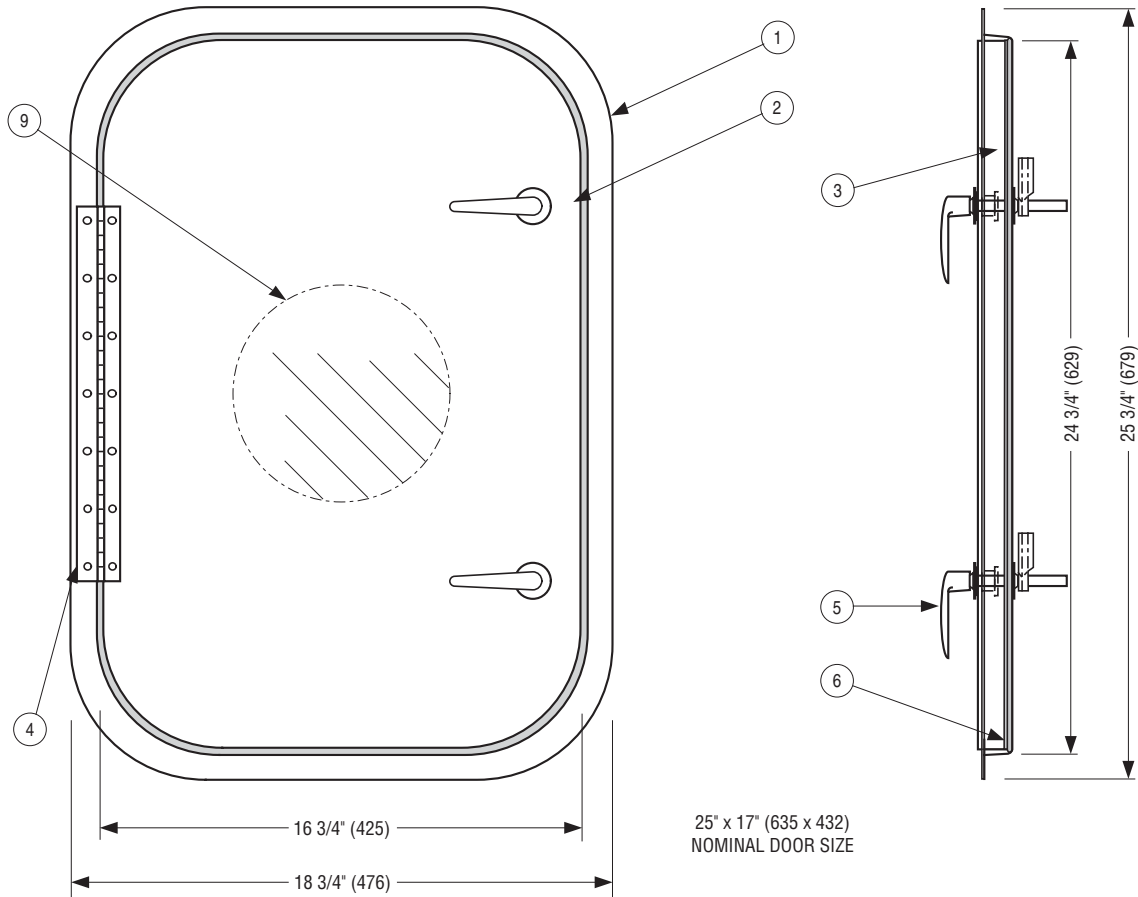




PLENUM ACCESS DOOR
ULTRA-LOW LEAKAGE
SIZE: 25 x 17
MODEL: 0840-6

FOR USE IN LOW, MEDIUM AND HIGH PRESSURE PLENUMS



MODEL DESCRIPTION:

Hinged door with closure handles for positive seal and easy operation. Flat oval design optimizes access area and simplifies installation.

STANDARD CONSTRUCTION:

1. Die-formed 22 ga. (.85) galv. flanged frame for extra strength.
2. Die-formed 22 ga. (.85) galv. door panel for extra strength.
3. 1" (25) insulation with 24 ga. (.85) galvanized backing plate.
4. Zinc plated hinge.
5. Die-cast closure handles.
6. Positive bulb door seal.
7. Layout template included on carton.
8. 3/16" (5) dia. pre-punched attachment holes on inner flange for surface mounting.

OPTIONS:

8. PO 3/16" (5) dia. pre-punched attachment holes on outer flange for flush mounting.
9. VP Viewport - 5 1/2" (140) diameter.

LEAKAGE INFORMATION:

Tested in conformance to British Standard DW142 Class C. The maximum leakage at 8" w.g. (2 kPa): 0.286 cfm (8.1 l/min.)

SCHEDULE TYPE:	
PROJECT:	
ENGINEER:	
CONTRACTOR:	

Dimensions are in inches (mm).

DATE	B SERIES	SUPERSEDES	DRAWING NO.
1 - 30 - 13	0800	4 - 20 - 04	0800-6