



**CEILING RADIATION DAMPER**  
 FOR WOOD TRUSS CEILING ASSEMBLIES  
 DUCTED  
 STEEL OR FIBERGLASS PLENUM BY OTHERS  
**MODEL: 0757D**



**QUALIFICATIONS:**

- **UL 263 CLASSIFIED CEILING RADIATION DAMPER.** Category CABS. (File # R9660).
- **1 hour rated for use in UL floor/ceiling design numbers L528/L546/L550/L558/L562/L574/L576/L579/L581/L583/L585/M501/M503 and roof/ceiling design numbers P531/P533/P538/P545/P547/P552.** (Other proprietary UL design numbers may be similar. Local approval by AHJ is required to use a Nailor design when not specified).
- **Meets NFPA 90A requirements.**

**DESCRIPTION:**

Ceiling dampers are designed to function as a heat barrier in air handling openings penetrating fire resistive membrane ceilings. The Model Series 0757D has been especially designed and tested to provide protection and simple installation in specific UL design wood truss ceiling assemblies.

Model 0757D is designed for installation in the supply (or return) ductwork take-off from an AHU where it penetrates the ceiling and provides a single or multiple-outlet plenum to feed Model 0757 supply ceiling damper grille/diffuser assemblies. May also be used as a return.

Model 0757D rectangular ceiling damper requires a field fabricated steel or fiberglass plenum with up to five outlet collars by others.

**STANDARD CONSTRUCTION:**

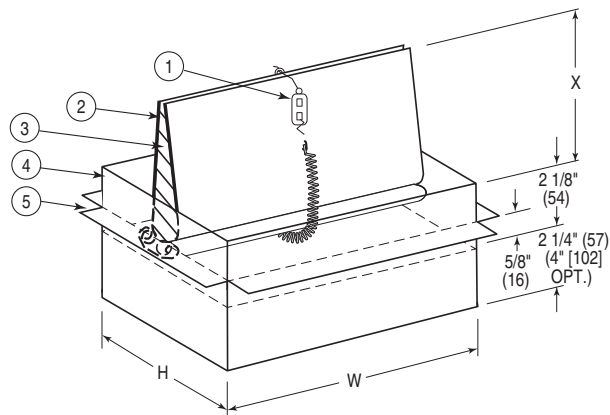
1. **Fusible Link:** UL Listed, 212°F (100°C), standard.
2. **Blades:** 22 ga. (0.85) G60 roll-formed galv. steel.
3. **Blade Insulation:** Non-asbestos UL Classified.
4. **Damper Frame:** 24 ga. (0.70) G60 galvanized steel.
5. **Flange:** 7/8" (22) plaster flange.

**OPTIONS:**

1. Non-standard temp. UL listed fusible link
  - 165** 165°F (74°C)
2. Plaster Ground Extension:
  - PG2** 2 1/4" (57) standard
  - PG4** 4" (102) optional
3. Damper Style:
  - 0716** Butterfly (Two Blades) Damper standard
  - 0714** Single Blade Damper
  - 0720** Low Profile Curtain Damper
4. Installation Support Angles. 26" (660) long.
  - ISA** 2 @ 3/4" x 3/4" x 16 ga. (19 x 19 x 1.6) or
  - ISB** 2 @ 1 1/2" x 1 1/2" x 22 ga. (38 x 38 x 0.85)

**NOTES:**

1. See page 2 for Field Supplied Steel or Fiberglass Plenum (by others) construction details.
2. Ceiling damper is a component of damper/plenum box assembly.



**NOTE:**  
 X = 1/2 THE LISTED HEIGHT - 1 7/8" (48)

**Note:**  
 0716 Butterfly Type damper shown is standard. 0714 Single Blade or 0720 Low Profile Curtain Damper also available.

**AVAILABLE SIZES:**

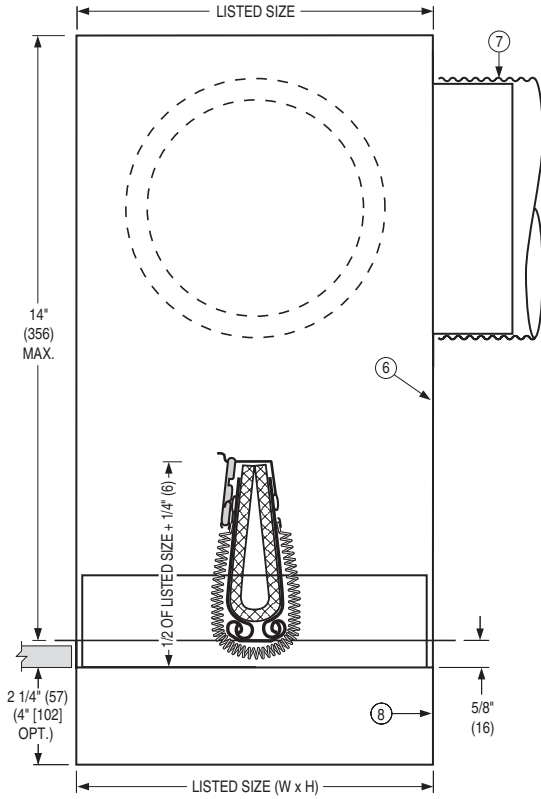
Minimum: 6" W x 4" H (152 x 102).  
 Maximum with Steel Plenum:  
 18" W x 18" H (457 x 457).  
 Maximum with Fiberglass Plenum:  
 21" W x 18" H (533 x 457).

W x H = Listed Size

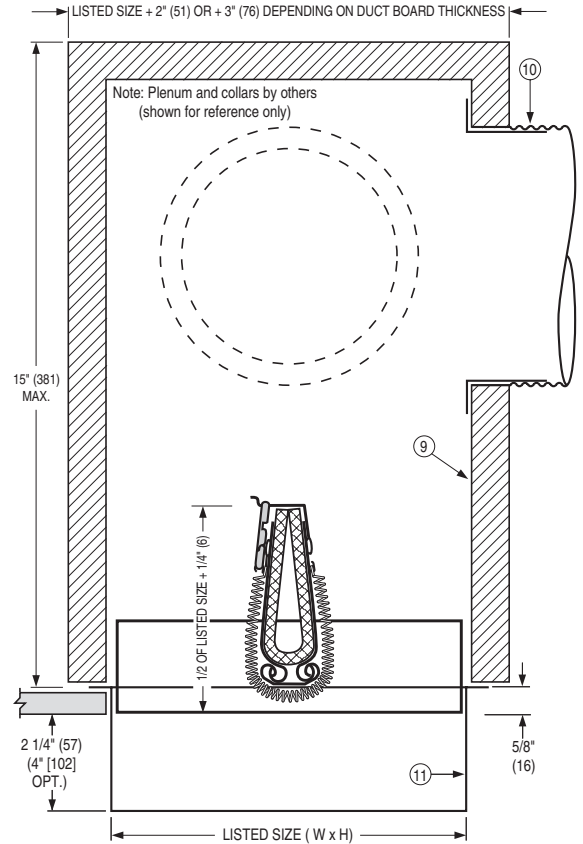
For installation instructions, see IOM-CRD0757INST.

<b>SCHEDULE TYPE:</b>	Page 1 of 2			
<b>PROJECT:</b>	Dimensions are in inches (mm).			
<b>ENGINEER:</b>	<b>DATE</b>	<b>B SERIES</b>	<b>SUPERSEDES</b>	<b>DRAWING NO.</b>
<b>CONTRACTOR:</b>	1 - 21 - 22	0700	11 - 30 - 21	0757D

Steel Plenum (by OTHERS) (Type B shown)



Fiberglass Plenum (by OTHERS)



Plenum Construction	Plenum Type	Description/Installation	Min. Damper Size	Max. Damper Size	Max. Number of Collars <sup>2</sup>
Steel	B	Ducted, 90° Side Outlet	6 x 4 (152 x 102)	18 x 18 (457 x 457)	5

Plenum Construction	Plenum Type	Description/Installation	Min. Damper Size	Max. Damper Size	Max. Number of Collars <sup>2</sup>
Fiberglass	B	Ducted, 90° Side Outlet	6 x 4 (152 x 102)	21 x 18 (533 x 457)	5

**STEEL PLENUM**

**CONSTRUCTION DETAILS:**

- 6. Steel plenum/sub-frame:  
 Uninsulated: 26 ga. (0.55) min. galv. steel with round connection collar.
- 7. UL Classified Class 0 or I Flexible Air Duct connection by others.
- 8. Damper sleeve is extended below ceiling for ducted connection.

**FIBERGLASS PLENUM**

**CONSTRUCTION DETAILS:**

- 9. Fiberglass plenum/sub-frame:  
 Duct Board: 1" - 1 1/2" (25 - 38), rigid (R4 - R6)
- 10. Cutting and Installation of collar for UL Classified Class 0 or I Flexible Air Duct connection by others.
- 11. Damper sleeve is extended below ceiling for ducted connection.

**NOTES:**

- 1. See minimum/maximum damper size restriction by Plenum Construction/Plenum Type, above.
- 2. Refer to document IOM-CRD0757INST for Supplementary Installation Instructions for Field Fabrication of Steel or Fiberglass Plenums (by others).

<b>SCHEDULE TYPE:</b>	Page 2 of 2 Dimensions are in inches (mm).			
<b>PROJECT:</b>				
<b>ENGINEER:</b>	<b>DATE</b>	<b>B SERIES</b>	<b>SUPERSEDES</b>	<b>DRAWING NO.</b>
<b>CONTRACTOR:</b>	1 - 21 - 22	0700	11 - 30 - 21	0757D