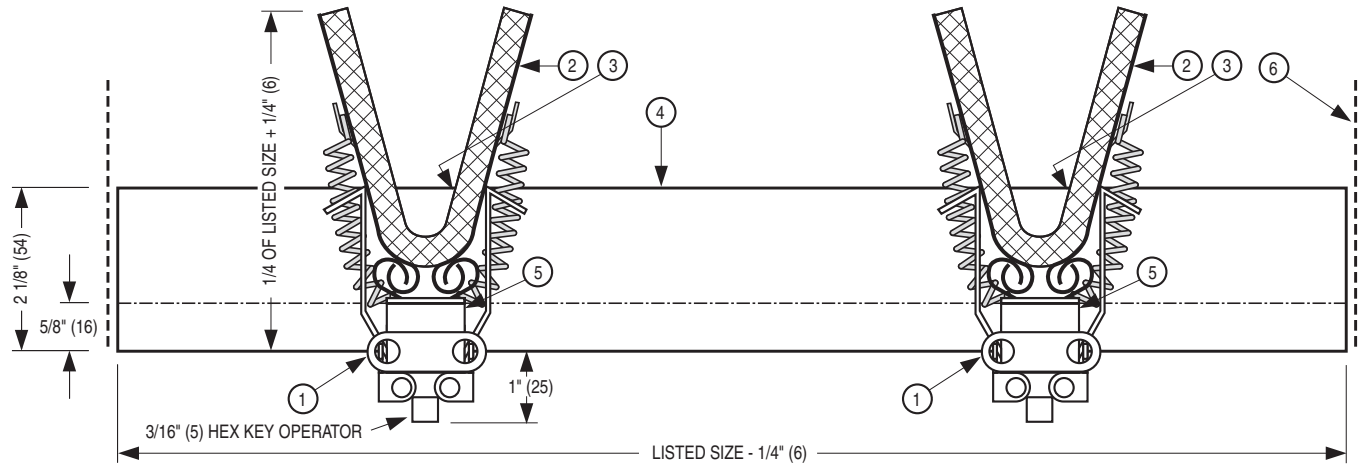




**CEILING RADIATION DAMPER WITH
ADJUSTABLE VOLUME CONTROL**
LOW PROFILE • SQUARE OR RECT.
MODEL: 0716-4A



QUALIFICATIONS:

- **UL 555C CLASSIFIED CEILING DAMPER (File # R9660).**
- **CAN4/ULC-S112.2 Ceiling Firestop Flap Assemblies.**
- **Meets the requirements for NFPA 90A as well as IBC, NBC (Canada) and associated local building codes.**
- **City of New York Board of Standards and Appeals. Cal. No. 460-88-SA.**
- **California State Fire Marshal: Fire Damper Listing No. 3225-0935:0102.**

U.S. Patent No.
4,936,287

Canadian Patent No.
2,014,587-1

DESCRIPTION:

Ceiling dampers, or ceiling radiation dampers (known as Fire Stop Flaps in Canada), are designed to function as a fire and heat barrier in air duct openings penetrating fire resistive membrane ceilings. Model 0716-4A is for use in square or rectangular applications, in lieu of hinged door type dampers in any UL/ULC floor/ceiling or roof/ceiling assembly with up to a 3 hour fire resistance rating where air ducts are allowed.

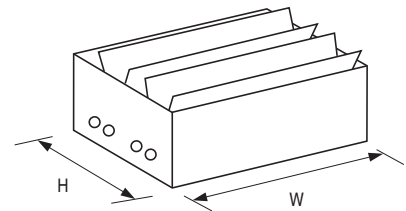
Model 0716-4A provides a low profile, dual set of adjustable blades design, ideal for installation in tight places, and incorporates an Adjustable Volume Control mechanism to adjust the opening of the blades for balancing airflow through the diffuser.

STANDARD CONSTRUCTION:

1. **Fusible Link:** UL Listed, 212°F (100°C), standard.
2. **Blades:** 22 ga. (0.85) G60 galvanized steel.
3. **Insulation:** Non-asbestos UL Classified on units over 80 sq. in. (516 sq. cm) finished size, std. Not required on smaller units.
4. **Frame:** Roll-formed 22 ga. (0.85) G60 galvanized steel.
5. **Vol. Control:** Adj. fusible link assembly permits volume control.
6. **Duct Drop:** By others.

Model 0716-4A Sizes (Duct W x H):

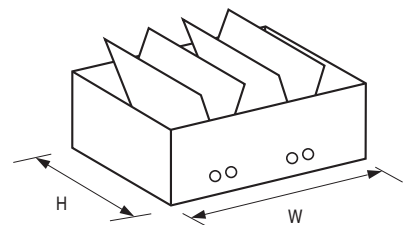
Minimum	Maximum
12" x 6" (305 x 152)	24" x 24" (610 x 610)



DETAIL 1

(H = 12" [305] or more)

Units manufactured with blade length on dimension (W) except where short dimension (H) is less than 12" (305). (See Detail 1 above).



DETAIL 2

(H = less than 12" [305])

If short dimension (H) is less than 12" (305), units are manufactured with blade length on short dimension. (See Detail 2 above).

OPTION:

1. Non-standard temperature U.L. Listed fusible link.
 165 165°F (74°C)

For installation instructions, see IOM-CRDSINST and IOM-CRDTBINST.

Dimensions are in inches (mm).

SCHEDULE TYPE:

PROJECT:

ENGINEER:

CONTRACTOR:

DATE

B SERIES

SUPERSEDES

DRAWING NO.

4 - 28 - 14

0700

11 - 1 - 04R

0700-5