



**STATIC THINLINE CURTAIN TYPE FIRE DAMPER**  
**3 HR. LABEL • VERTICAL MOUNT**  
**FOR USE IN STATIC SYSTEMS**  
**MODELS: 0570V, 0580V AND 0590V**



**QUALIFICATIONS:**

- **UL 555 & CAN/ULC-S112 CLASSIFIED FIRE DAMPER. 3 hr. label (File # R9492).**
- **Meets all the requirements of UL and NFPA 80, 90A and 101 for fire dampers in static HVAC systems, as well as IBC and NBC (Canada) Building Code requirements.**
- **City of New York Board of Standards and Appeals. Cal. No. 460-88-SA.**
- **California State Fire Marshal: Fire Damper Listing No. 3225-0935:0100.**

Model 0570 curtain fire damper is UL approved for use where local building codes require the protection of HVAC ductwork penetrations in walls and partitions that have a fire resistance rating of up to 4 hours. The 0570 is classified for use only in static "fans off" systems where the HVAC system is automatically shut down in the event of a fire alarm.

Thinline fire dampers are only 2" (51) deep and permit installation in narrow fire partitions, transfer openings, behind grilles or in any application where clearance is restricted.

**STANDARD CONSTRUCTION:**

**Frame:** 2" (51) wide, 22 ga. (0.85) roll-formed G60 galv. steel.

**Blades:** Curtain type interlocking blades, 22 ga. (0.85) roll-formed G60 galvanized steel.

**Fusible Link:** 165°F (74°C) standard. UL Listed. 212°F (100°C) available.

**Blade Closure:** Vertical mount model; gravity.

**Sizes (Duct W x H):**

Model Type	Minimum	Maximum
	Single Section	Single Section
	Vertical	Vertical
0570V A	4" x 4" (102 x 102)	36" x 60" (914 x 1524)
0580V B	4" x 3" (102 x 76)	36" x 50" (914 x 1270)
0590V Round/CR	3" (76) dia.	34" (864) dia.
0590V Oval/CO	4" x 3" (102 x 76)	34" x 49" (864 x 1245)
0590V Square/Rect./CSR	3" x 3" (76 x 76)	34" x 49" (864 x 1245)

**Note:** For horizontal mount applications, contact factory.

**OPTIONS:**

- Non-standard temperature fusible link. Specify \_\_\_\_\_.
- Factory Sleeve. Available in 10 (3.5) through 22 ga. (0.85) galv. steel and in lengths required for application. Specify: \_\_\_\_\_ length. \_\_\_\_\_ ga.

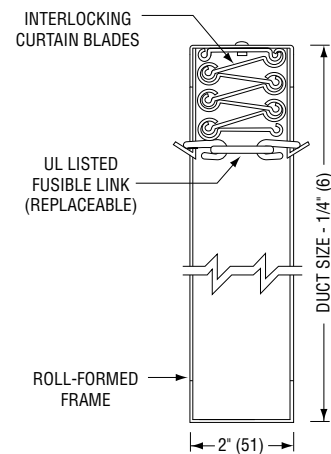
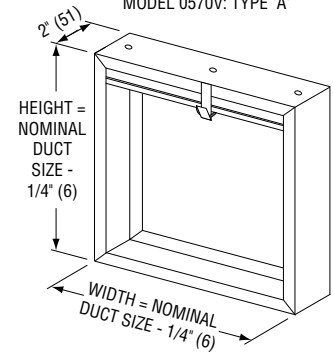
**Type C Options:**

- LP** Unsealed. Suitable for low pressure systems.
- HP** Sealed. Suitable for medium/high pressure systems. Externally caulked. (Up to 6 w.g. [1.5 kPa]).

**NOTES:**

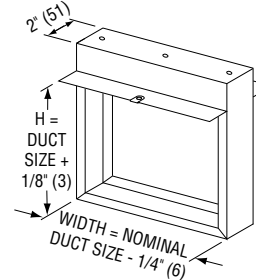
1. See sizing chart for relationship of duct size and damper size on Type B & C. Refer to drawing SC3.

MODEL 0570V: TYPE 'A'

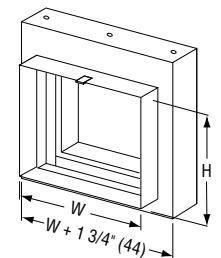


MODEL 0570V – VERTICAL MOUNT

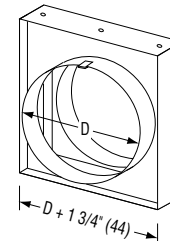
MODEL 0580V: TYPE 'B'



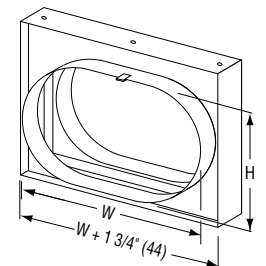
MODEL 0590V: TYPE 'CSR' RECTANGULAR



MODEL 0590V: TYPE 'CR' ROUND



MODEL 0590V: TYPE 'CO' FLAT OVAL



For installation instructions, see IOM-FDINST. Dimensions are in inches (mm).

<b>SCHEDULE TYPE:</b>				
<b>PROJECT:</b>				
<b>ENGINEER:</b>	<b>DATE</b>	<b>B SERIES</b>	<b>SUPERSEDES</b>	<b>DRAWING NO.</b>
<b>CONTRACTOR:</b>	4 - 28 - 14	FD	3 - 1 - 05	0570