



**STAINLESS STEEL CURTAIN TYPE FIRE DAMPER**  
 3 HR. LABEL • VERTICAL OR HORIZONTAL  
 FOR USE IN STATIC SYSTEMS  
 MODEL: 0510SS (TYPE A)



**QUALIFICATIONS:**

- UL 555 & CAN/ULC-S112 CLASSIFIED FIRE DAMPER. 3 hr. label (File # R9492).
- Meets all the requirements of UL and NFPA 80, 90A and 101 for fire dampers in static HVAC systems, as well as IBC and NBC (Canada) Building Code requirements.
- City of New York Board of Standards and Appeals. Cal. No. 460-88-SA.
- California State Fire Marshal: Fire Damper Listing No. 3225-0935:0100.

Model 0510SS stainless steel curtain fire damper is UL approved for use where local building codes require the protection of HVAC ductwork penetrations in walls, partitions or floors that have a fire resistance rating of up to 4 hours. The 0510SS is classified for use only in static "fans off" systems where the HVAC system is automatically shut down in the event of a fire alarm.

**STANDARD CONSTRUCTION:**

- Frame:** 4 7/8" (124) wide, 22 ga. (0.79) roll-formed Type 304 stainless steel.
- Blades:** Curtain type interlocking blades, 22 ga. (0.79) roll-formed Type 304 stainless steel.
- Fusible Link:** 165°F (74°C) standard. UL Listed. 212°F (100°C) available.
- Blade Closure:** Vertical mount: gravity.  
 Horizontal mount models are equipped with stainless steel closure springs and stainless steel locking ramps.

**Sizes (Duct W x H):**

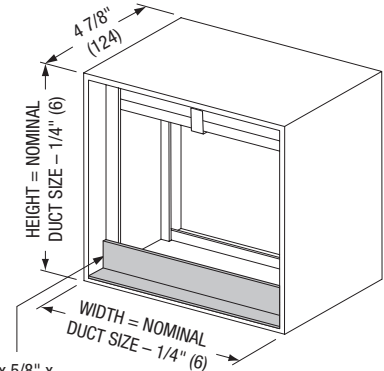
Minimum	Maximum			
	Single Section		Multiple Section	
Vertical/Horizontal	Vertical	Horizontal	Vertical	Horizontal
4" x 4" (102 x 102)	24" x 24" (610 x 610)	48" x 48" (1219 x 1219)	48" x 48" (1219 x 1219)	72" x 72" (1829 x 1829)

**OPTIONS:**

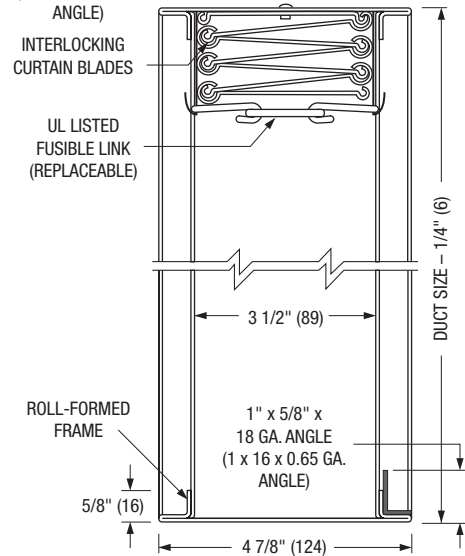
- 316 Type 316 stainless steel frame and blades.
- Non-standard temperature fusible link. Specify \_\_\_\_\_.
- Factory Sleeve. Available in 10 (3.5) through 18 ga. (1.27) stainless steel and in lengths required for application (up to 30" [762]). Specify: \_\_\_\_\_ length. \_\_\_\_\_ ga.

**NOTES:**

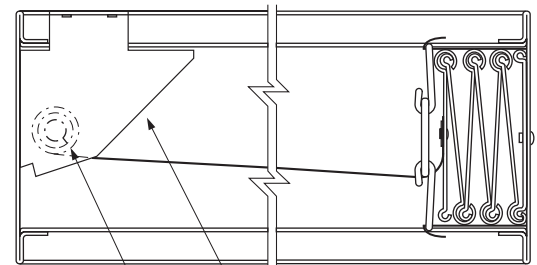
1. Units are manufactured 1/4" (6) under nominal duct size.



1" x 5/8" x 18 GA. ANGLE  
 (1 x 16 x 0.65 GA. ANGLE)



**VERTICAL MOUNT**



**HORIZONTAL MOUNT**

**SCHEDULE TYPE:**

**PROJECT:**

**ENGINEER:**

**CONTRACTOR:**

For installation instructions, see IOM-FDINST.  
 Dimensions are in inches (mm).

DATE	B SERIES	SUPERSEDES	DRAWING NO.
10 - 22 - 18	FD	NEW	0500SS-1