



STATIC CURTAIN TYPE FIRE DAMPER
3 HR. LABEL • VERTICAL OR HORIZONTAL
FOR USE IN STATIC SYSTEMS
MODELS: 0530V & 0530H (TYPES CR & CO)



QUALIFICATIONS:

- **UL 555 & CAN/ULC-S112 CLASSIFIED FIRE DAMPER. 3 hr. label (File # R9492).**
- **Meets all the requirements of UL and NFPA 80, 90A and 101 for fire dampers in static HVAC systems, as well as IBC and NBC (Canada) Building Code requirements.**
- **City of New York Board of Standards and Appeals. Cal. No. 460-88-SA.**
- **California State Fire Marshal: Fire Damper Listing No. 3225-0935:0100.**

Model 0530 curtain fire damper is UL approved for use where local building codes require the protection of HVAC ductwork penetrations in walls, partitions or floors that have a fire resistance rating of up to 4 hours. The 0530 is classified for use only in static "fans off" systems where the HVAC system is automatically shut down in the event of a fire alarm.

Type CR round & CO oval fire dampers use transition collars to place the curtain blade pack and damper frame out of the airstream, providing 100% free area.

STANDARD CONSTRUCTION:

- Frame:** 4 1/4" (108) wide, 22 ga. (0.85) roll-formed G60 galvanized steel.
- Blades:** Curtain type interlocking blades, 22 ga. (0.85) roll-formed G60 galvanized steel.
- Fusible Link:** 165°F (74°C) standard. UL Listed. 212°F (100°C) available.
- Blade Closure:** Vertical mount model; gravity. Horizontal mount models are equipped with stainless steel closure springs and galvanized steel locking ramps.

Sizes (Duct W x H):

Model Type	Minimum		Maximum			
	Single Section		Single Section		Multiple Section	
	Vertical	Horizontal	Vertical	Horizontal	Vertical	Horizontal
Round CR	3" (76) dia.	4" (102) dia.	42" (1067) dia.	31" (767) dia.	66" (1676) dia.	34" (864) dia.
Oval CO	4" x 3" (102 x 76)	5" x 4" (127 x 102)	46" x 42" (1168 x 1067)	34" x 31" (864 x 787)	① 106" x 66" (2692 x 1676)	70" x 31" (1778 x 787)

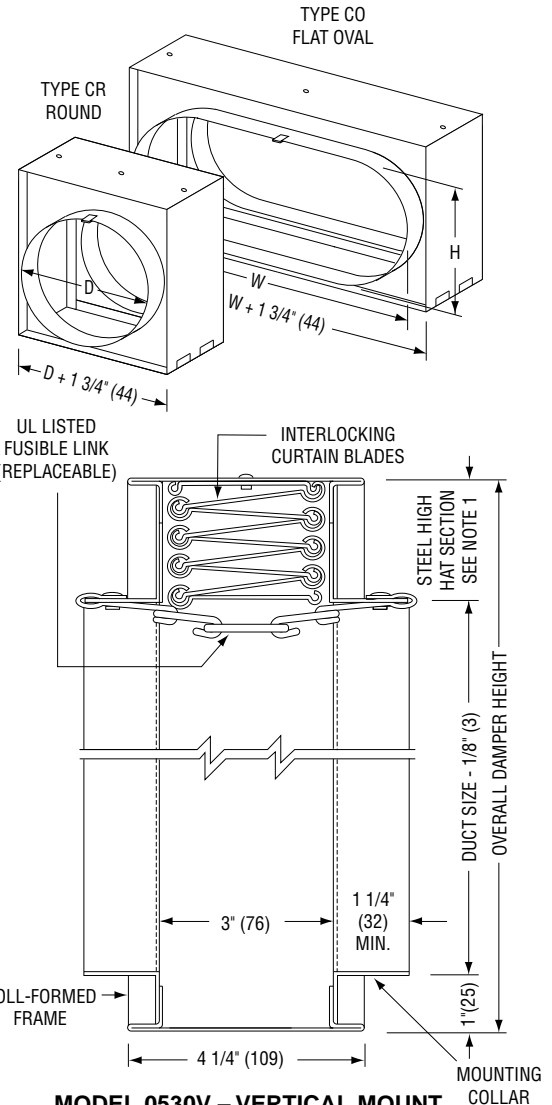
① Maximum individual sections not to exceed 36" x 36" (914 x 914).

OPTIONS:

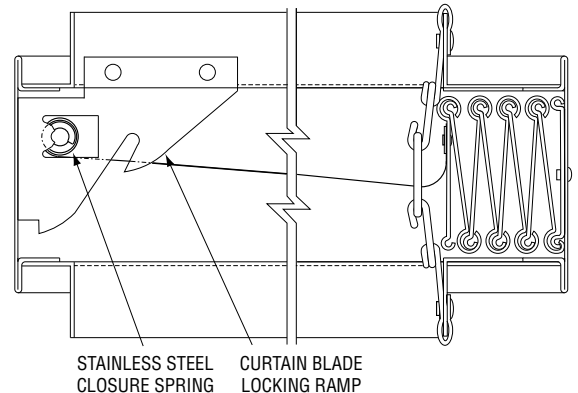
- Non-standard temperature fusible link. Specify _____.
- LP** Unsealed. Suitable for low pressure systems.
- HP** Sealed. Suitable for medium/high pressure systems. Externally caulked. (Up to 6 w.g. [1.5 kPa]).
- Factory Sleeve.** Available in 10 (3.5) through 22 ga. (0.85) galvanized steel and in lengths required for application. Specify: _____ length. _____ ga.

NOTES:

- See sizing chart for relationship of duct size and damper size. Refer to drawings SC1 and SC2.



MODEL 0530V – VERTICAL MOUNT



MODEL 0530H – HORIZONTAL MOUNT

For installation instructions, see IOM-FDINST. Dimensions are in inches (mm).

SCHEDULE TYPE:			
PROJECT:			
ENGINEER:			
CONTRACTOR:			
DATE	B SERIES	SUPERSEDES	DRAWING NO.
4 - 28 - 14	FD	10 - 6 - 06	0500-3