



STATIC CURTAIN TYPE FIRE DAMPER
3 HR. LABEL • VERTICAL OR HORIZONTAL
FOR USE IN STATIC SYSTEMS
MODELS: 0510V AND 0510H (TYPE A)



QUALIFICATIONS:

- **UL 555 & CAN/ULC-S112 CLASSIFIED FIRE DAMPER. 3 hr. label (File # R9492).**
- **Meets all the requirements of UL and NFPA 80, 90A and 101 for fire dampers in static HVAC systems, as well as IBC and NBC (Canada) Building Code requirements.**
- **City of New York Board of Standards and Appeals. Cal. No. 460-88-SA.**
- **California State Fire Marshal: Fire Damper Listing No. 3225-0935:0100.**

Model 0510 curtain fire damper is UL approved for use where local building codes require the protection of HVAC ductwork penetrations in walls, partitions or floors that have a fire resistance rating of up to 4 hours. The 0510 is classified for use only in static "fans off" systems where the HVAC system is automatically shut down in the event of a fire alarm.

STANDARD CONSTRUCTION:

- Frame:** 4 1/4" (108) wide, 22 ga. (0.85) roll-formed G60 galvanized steel.
- Blades:** Curtain type interlocking blades, 22 ga. (0.85) roll-formed G60 galvanized steel.
- Fusible Link:** 165°F (74°C) standard. UL Listed. 212°F (100°C) available.
- Blade Closure:** Vertical mount model; gravity. Horizontal mount models are equipped with stainless steel closure springs and galvanized steel locking ramps.

Sizes (Duct W x H):

Minimum	Maximum			
	Single Section		Multiple Section	
Vertical/Horizontal	Vertical	Horizontal	Vertical	Horizontal
4" x 4" (102 x 102)	48" x 48" (1219 x 1219)	36" x 36" (914 x 914)	① 108" x 72" (2743 x 1829)	72" x 36" (1829 x 914)

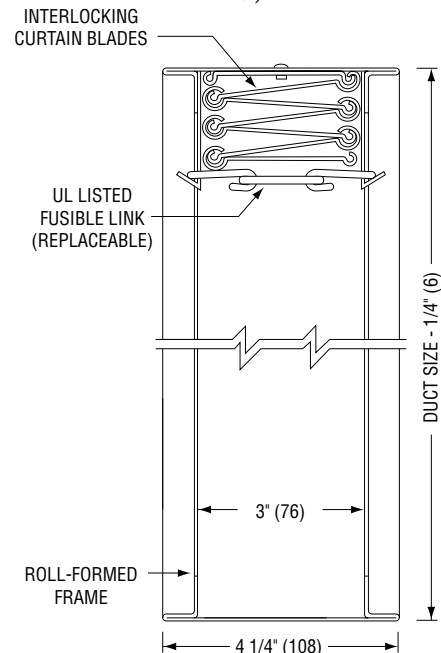
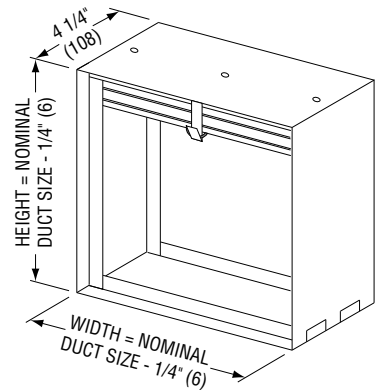
① Maximum individual sections not to exceed 36" x 36" (914 x 914).

OPTIONS:

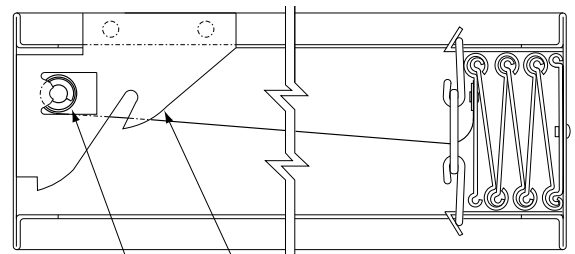
- Non-standard temperature fusible link. Specify _____.
- PT Pull Tab Release.** Permits simple reset of horizontal damper when access door is located below damper. (See dwg. ACC-PTR for details).
- Factory Sleeve.** Available in 10 (3.5) through 22 ga. (0.85) galvanized steel and in lengths required for application. Specify: _____ length. _____ ga.

NOTES:

- Units are manufactured 1/4" (6) under nominal duct size.



MODEL 0510V – VERTICAL MOUNT



MODEL 0510H – HORIZONTAL MOUNT

For installation instructions, see IOM-FDINST.

Dimensions are in inches (mm).

SCHEDULE TYPE:
PROJECT:
ENGINEER:
CONTRACTOR:

DATE	B SERIES	SUPERSEDES	DRAWING NO.
4 - 28 - 14	FD	10 - 6 - 06	0500-1