



STATIC THINLINE FIRE DAMPER FOR GRILLES WITH CUSTOM SLEEVE
 FOR USE IN STATIC SYSTEMS • CURTAIN TYPE
 VERTICAL OR HORIZONTAL MOUNT
MODEL SERIES: 0200G (TYPES A, B & CR)



QUALIFICATIONS:

- **UL 555 & CAN/ULC-S112 CLASSIFIED FIRE DAMPER. 1 1/2 hr. label (File # R9492).**
- **Meets all the requirements of UL and NFPA 80, 90A and 101 for fire dampers in static HVAC systems, as well as IBC and NBC (Canada) Building Code requirements.**
- **City of New York Board of Standards and Appeals. Cal. No. 460-88-SA.**
- **California State Fire Marshal: Fire Damper Listing No. 3225-0935:0100.**

Model Series 0200G features a factory sleeve with 3/4" (19) grille mounting flanges, that simplifies installation, saves on field labor and eliminates the requirements for unsightly front retaining angles which commonly protrude from behind the grille. Steel grille with correctly located countersunk screw holes is available from Nailor and installs over and completely hides the mounting flanges. The thinline static fire damper is offset in the sleeve 3" (76) as standard to accommodate a single or double deflection supply air grille, single deflection supply air register or a return air grille or register.

STANDARD CONSTRUCTION:

- Frame:** 2" (51) wide, 22 ga. (0.85) roll-formed G60 galvanized steel.
- Blades:** Curtain type interlocking blades, 22 ga. (0.85) roll-formed G60 galvanized steel.
- Fusible Link:** 165°F (74°C) standard. UL Listed. 212°F (100°C) available.
- Standard Sleeve:** 12" (305) x 20 ga. (1.01) G60 galvanized steel with 3/4" (19) wide grille mounting flanges.
- Blade Closure:** Vertical mount model; gravity. Horizontal mount models are equipped with stainless steel closure springs and galvanized steel locking ramps.

Sizes (Duct W x H):

Minimum	Maximum		
Single Section	Single Section		
Vertical/Horizontal	Type A	Type B	Type CR
4" x 4" (102 x 102)	24" x 24" (610 x 610)	24" x 19" (610 x 483)	22" dia. (559)

DETERMINING SLEEVE LENGTH/DAMPER POSITION:

To calculate minimum sleeve length, determine wall thickness and add 3" (76) minimum for rear retaining angles and duct connection. Front of assembly fits flush with wall. Damper offset (dimension 'S') should accommodate grille selection depth, but fire damper blade centerline must remain within the plane of the wall or floor. (Minimum wall thickness = S + 1" [25]). Maximum allowed sleeve projection is 6" (152). Standard 12" (305) sleeve requires a minimum wall thickness of 6" (152). For thinner walls, a shorter sleeve length is required. A reduced "S" dimension may also be required. For applications where the damper would be outside the plane of the wall or floor, refer to Model 0110GOW.

CUSTOM SLEEVE:

Available in 10 (0.35) through 22 ga. (0.85) and 8" to 28" (203 – 711) in length.

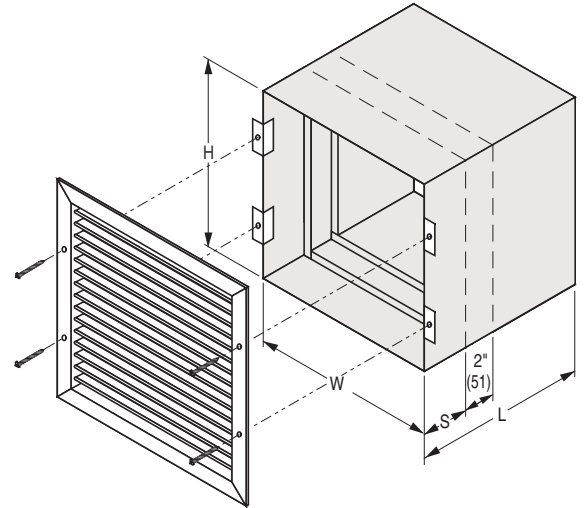
SPECIFY:

- Length = ____ . Gauge = ____ . S Dimension = ____ .

OPTIONS:

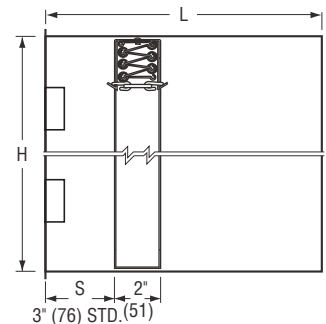
- QS1** Quick-set retaining angles (for the rear side of the damper).

For installation instructions, see IOM-FDGINST.

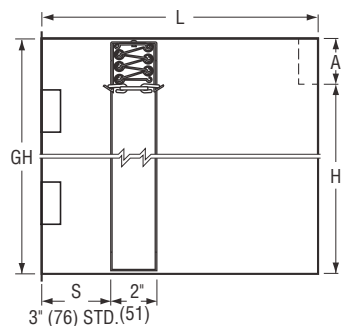


STANDARD DAMPER/SLEEVE:

**MODEL 0210G:
TYPE A**

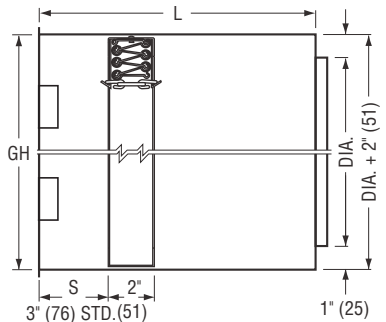


**MODEL 0220G:
TYPE B DUCT CONNECTION ON ONE END
GH = H + A**



Duct Height (H)	Dim. 'A'
6" – 9" (152 – 229)	2" (51)
10" – 15" (224 – 381)	3" (76)
16" – 19" (406 – 483)	4" (102)

**MODEL 0230G:
TYPE CR ROUND DUCT CONNECTION ON ONE END
GH = DIA. + 2" (51)**



Dimensions are in inches (mm).

SCHEDULE TYPE:				
PROJECT:				
ENGINEER:	DATE	B SERIES	SUPERSEDES	DRAWING NO.
CONTRACTOR:	3 - 22 - 18	FD	4 - 28 - 14	0200-5