



STATIC THINLINE CURTAIN FIRE DAMPER
 1 1/2 HR. LABEL • VERT. OR HORIZ.
 FOR USE IN STATIC SYSTEMS
 MODELS: 0240V AND 0240H (TYPE CSR)



QUALIFICATIONS:

- **UL 555 & CAN/ULC-S112 CLASSIFIED FIRE DAMPER. 1 1/2 hr. label (File # R9492).**
- **Meets all the requirements of UL and NFPA 80, 90A and 101 for fire dampers in static HVAC systems, as well as IBC and NBC (Canada) Building Code requirements.**
- **City of New York Board of Standards and Appeals. Cal. No. 460-88-SA.**
- **California State Fire Marshal: Fire Damper Listing No. 3225-0935:0100.**

Model 0240 curtain fire damper is UL approved for use where local building codes require the protection of HVAC ductwork penetrations in walls, partitions or floors that have a fire resistance rating of up to 2 hours. The 0240 is classified for use only in static "fans off" systems where the HVAC system is automatically shut down in the event of a fire alarm. Thinline fire dampers are only 2" (51) deep and permit installation in narrow fire partitions, transfer openings, behind grilles or in any application where clearance is restricted.

Type CSR square or rectangular fire dampers use full enclosure and transition collars to place the curtain blade pack and frame out of the airstream, providing 100% free area.

STANDARD CONSTRUCTION:

- Frame:** 2" (51) wide, 22 ga. (0.85) roll-formed G60 galvanized steel.
- Blades:** Curtain type interlocking blades, 22 ga. (0.85) roll-formed G60 galvanized steel.
- Enclosure:** 22 ga. (0.85) galvanized steel.
- Fusible Link:** 165°F (74°C) standard. UL Listed. 212°F (100°C) available.
- Blade Closure:** Vertical mount model; gravity. Horizontal mount models are equipped with stainless steel closure springs and galvanized steel locking ramps.

Sizes (Duct W x H):

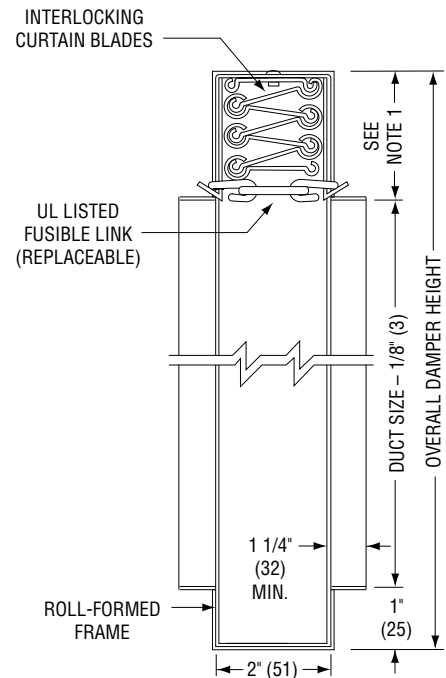
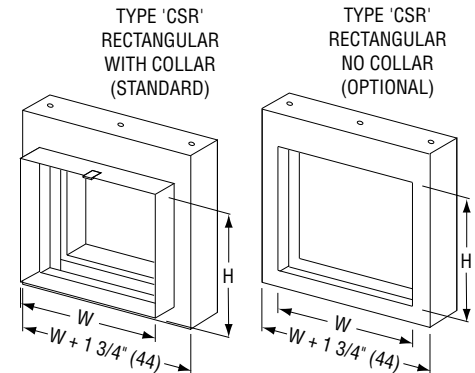
Minimum	Maximum	
Single Section	Single Section	
Vertical/Horizontal	Vertical	Horizontal
3" x 3" (76 x 76)	39" x 29" or 34" x 49" (991 x 737 or 864 x 1245)	39" x 29" (991 x 737)

OPTIONS:

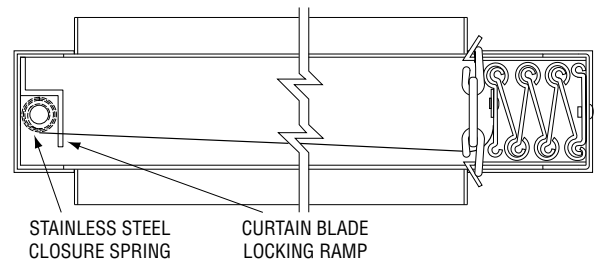
- Non-standard temperature fusible link. Specify _____.
- LP** Unsealed. Suitable for low pressure systems.
- HP** Sealed. Suitable for medium/high pressure systems. Externally caulked. (Up to 6 w.g. [1.5 kPa]).
- NC** No collar.
- Factory Sleeve. Available in 10 (3.5) through 22 ga. (0.85) galvanized steel and in lengths required for application. Specify: ___ length. ___ ga.

NOTES:

1. See sizing chart for relationship of duct size and damper size. Refer to drawings SC3 and SC4.



MODEL 0240V – VERTICAL MOUNT



MODEL 0240H – HORIZONTAL MOUNT

For installation instructions, see IOM-FDTINST.

Dimensions are in inches (mm).

SCHEDULE TYPE:				
PROJECT:				
ENGINEER:	DATE	B SERIES	SUPERSEDES	DRAWING NO.
CONTRACTOR:	4 - 28 - 14	FD	3 - 1 - 05	0200-4