



STATIC THINLINE CURTAIN FIRE DAMPER
 1 1/2 HR. LABEL • VERT. OR HORIZ.
 FOR USE IN STATIC SYSTEMS
 MODELS: 0210V AND 0210H (TYPE A)



QUALIFICATIONS:

- UL 555 & CAN/ULC-S112 CLASSIFIED FIRE DAMPER. 1 1/2 hr. label (File # R9492).
- Meets all the requirements of UL and NFPA 80, 90A and 101 for fire dampers in static HVAC systems, as well as IBC and NBC (Canada) Building Code requirements.
- City of New York Board of Standards and Appeals. Cal. No. 460-88-SA.
- California State Fire Marshal: Fire Damper Listing No. 3225-0935:0100.

Model 0210 curtain fire damper is UL approved for use where local building codes require the protection of HVAC ductwork penetrations in walls, partitions or floors that have a fire resistance rating of up to 2 hours. The 0210 is classified for use only in static "fans off" systems where the HVAC system is automatically shut down in the event of a fire alarm.

Thinline fire dampers are only 2" (51) deep and permit installation in narrow fire partitions, transfer openings, behind grilles or in any application where clearance is restricted.

STANDARD CONSTRUCTION:

- Frame:** 2" (51) wide, 22 ga. (0.85) roll-formed G60 galvanized steel.
- Blades:** Curtain type interlocking blades, 22 ga. (0.85) roll-formed G60 galvanized steel.
- Fusible Link:** 165°F (74°C) standard. UL Listed. 212°F (100°C) available.
- Blade Closure:** Vertical mount model; gravity. Horizontal mount models are equipped with stainless steel closure springs and galvanized steel locking ramps.

Sizes (Duct W x H):

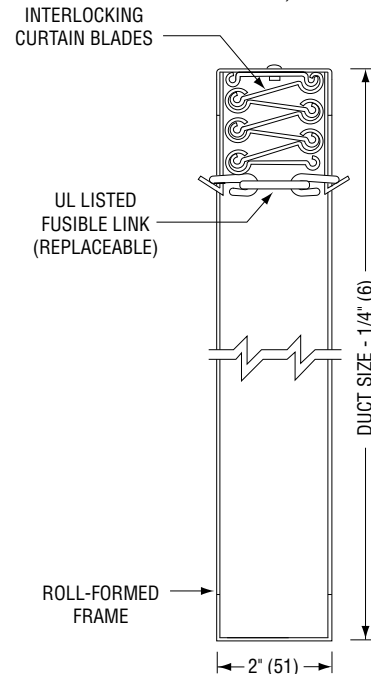
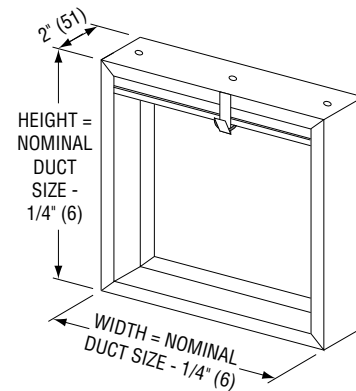
| Minimum | Maximum | |
|------------------------|--|---------------------------|
| Single Section | Single Section | |
| Vertical/Horizontal | Vertical | Horizontal |
| 4" x 4" (102 x 102) | 41" x 36" or 36" x 60" (1041 x 914 or 914 x 1524) | 41" x 36" (1041 x 914) |

OPTIONS:

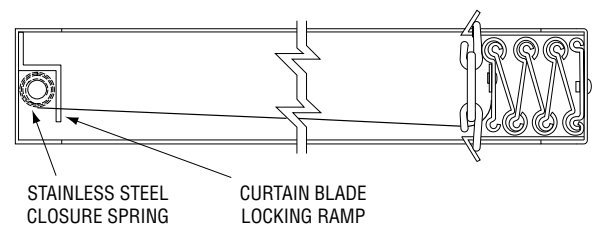
- Non-standard temperature fusible link. Specify _____.
- PT Pull Tab Release. Permits simple reset of horizontal damper when access door is located below damper. (See dwg. ACC-PTR for details).
- Factory Sleeve. Available in 10 (3.5) through 22 ga. (0.85) galvanized steel and in lengths required for application. Specify: _____ length. _____ ga.

NOTES:

1. Units are manufactured 1/4" (6) under nominal duct size.



MODEL 0210V – VERTICAL MOUNT



MODEL 0210H – HORIZONTAL MOUNT

For installation instructions, see IOM-FDTINST.

Dimensions are in inches (mm).

| | | | | |
|-----------------------|-------------|-----------------|-------------------|--------------------|
| SCHEDULE TYPE: | | | | |
| PROJECT: | | | | |
| ENGINEER: | DATE | B SERIES | SUPERSEDES | DRAWING NO. |
| CONTRACTOR: | 4 - 28 - 14 | FD | 3 - 1 - 05 | 0200-1 |