



**STATIC INTEGRAL SLEEVE CURTAIN TYPE
FIRE DAMPER FOR GRILLES**
FOR USE IN STATIC SYSTEMS
VERTICAL OR HORIZONTAL MOUNT
MODEL SERIES: 01X4G (TYPES A, B & CR)



QUALIFICATIONS:

- **UL 555 & CAN/ULC-S112 CLASSIFIED FIRE DAMPER. 1 1/2 hr. label (File # R9492).**
- **Meets all the requirements of UL and NFPA 80, 90A and 101 for fire dampers in static HVAC systems, as well as IBC and NBC (Canada) Building Code requirements.**
- **City of New York Board of Standards and Appeals. Cal. No. 460-88-SA.**
- **California State Fire Marshal: Fire Damper Listing No. 3225-0935:0100.**

Model Series 01X4G features a special factory sleeve with unique 3/4" (19) grille mounting flanges, that simplifies installation, saves on field labor and eliminates the requirements for unsightly front retaining angles which commonly protrude from behind the grille. Steel grille with correctly located countersunk screw holes is available from Nailor and installs over and completely hides the mounting flanges. The static fire damper is offset in the sleeve 3" (76) to accommodate a single or double deflection supply air grille, single deflection supply air register or a return air grille or register.

STANDARD CONSTRUCTION:

- Frame:** 4 1/4" (108) wide, 22 ga. (0.85) roll-formed G60 galvanized steel.
- Blades:** Curtain type interlocking blades, 22 ga. (0.85) roll-formed G60 galvanized steel.
- Fusible Link:** 165°F (74°C) standard. UL Listed. 212°F (100°C) available.
- Integral Sleeve:** 12" (305) x 22 ga. (0.85) G60 galvanized steel with 3/4" (19) wide grille mounting flanges.
- Blade Closure:** Vertical mount model; gravity. Horizontal mount models are equipped with stainless steel closure springs and galvanized steel locking ramps.

Sizes (Duct W x H):

Minimum Single Section	Maximum Single Section		
Vertical/Horizontal	Type A	Type B	Type CR
4" x 4" (Type A) (102 x 102)	24" x 24" (610 x 610)	24" x 21" (610 x 533)	22" dia. (559)

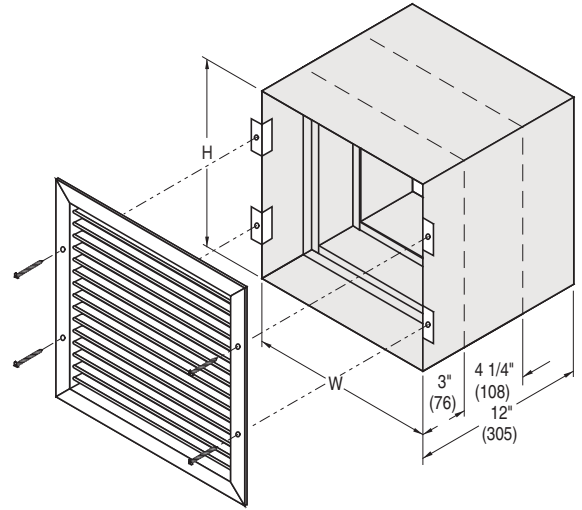
NOTE:

Damper blade centerline must remain within the plane of the wall or floor. These models require a min. – max. wall thickness of 6" – 9" (152 – 229). Rear of sleeve requires retaining angles. Maximum allowable sleeve projection is 6" (152). For custom length/gauge sleeves refer to Model Series 0100G. For applications where the damper would be outside the plane of the wall or floor, refer to Model 0110GOW.

OPTIONS:

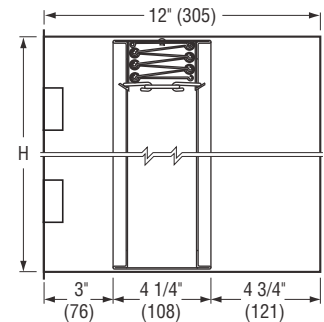
- QS1** Quick-set retaining angles (for the rear side of the damper).

For installation instructions, see IOM-FDGINST.

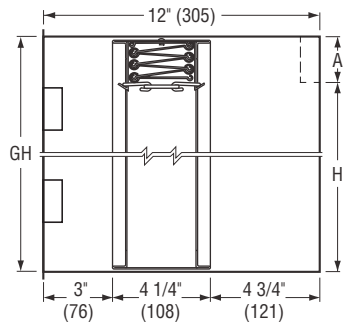


INTEGRAL DAMPER/SLEEVE:

**MODEL 0114G:
TYPE A**

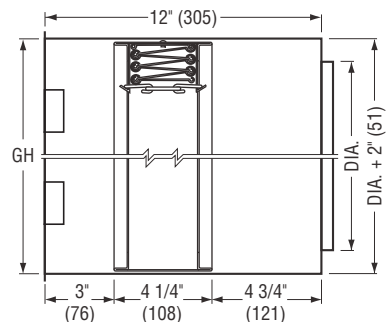


**MODEL 0124G:
TYPE B DUCT CONNECTION ON ONE END
GH = H + A**



Duct Height (H)	Dim. 'A'
3" – 17" (76 – 432)	2" (51)
18" – 21" (457 – 533)	3" (76)

**MODEL 0134G:
TYPE CR ROUND DUCT CONNECTION ON ONE END
GH = DIA. + 2" (51)**



Dimensions are in inches (mm).

SCHEDULE TYPE:				
PROJECT:				
ENGINEER:	DATE	B SERIES	SUPERSEDES	DRAWING NO.
CONTRACTOR:	11 - 6 - 17	FD	NEW	01X4G