



STATIC CURTAIN TYPE FIRE DAMPER
 1 1/2 HR. LABEL • VERT. OR HORIZ.
 FOR USE IN STATIC SYSTEMS
MODELS: 0120V AND 0120H (TYPE B)



QUALIFICATIONS:

- UL 555 & CAN/ULC-S112 CLASSIFIED FIRE DAMPER. 1 1/2 hr. label (File # R9492).
- Meets all the requirements of UL and NFPA 80, 90A and 101 for fire dampers in static HVAC systems, as well as IBC and NBC (Canada) Building Code requirements.
- City of New York Board of Standards and Appeals. Cal. No. 460-88-SA.
- California State Fire Marshal: Fire Damper Listing No. 3225-0935:0100.

Model 0120 curtain fire damper is UL approved for use where local building codes require the protection of HVAC ductwork penetrations in walls, partitions or floors that have a fire resistance rating of up to 2 hours. The 0120 is classified for use only in static "fans off" systems where the HVAC system is automatically shut down in the event of a fire alarm.

Type B fire dampers place the curtain blade pack out of the airstream for higher free area and reduced pressure drop.

STANDARD CONSTRUCTION:

- Frame:** 4 1/4" (108) wide, 22 ga. (0.85) roll-formed G60 galvanized steel.
- Blades:** Curtain type interlocking blades, 22 ga. (0.85) roll-formed G60 galvanized steel.
- Enclosure:** 22 ga. (0.85) galvanized steel.
- Fusible Link:** 165°F (74°C) standard. UL Listed. 212°F (100°C) available.
- Blade Closure:** Vertical mount model; gravity. Horizontal mount models are equipped with stainless steel closure springs and galvanized steel locking ramps.

Sizes (Duct W x H):

Minimum		Maximum		
Single Section		Single Section	Multiple Section	
Vertical	Horizontal	Vertical/Horizontal	Vertical	Horizontal
4" x 3" (102 x 76)	4" x 4" (102 x 102)	60" x 54" (1524 x 1372)	120" x 114" (3048 x 2896)	① 102" x 54" (2591 x 1372)

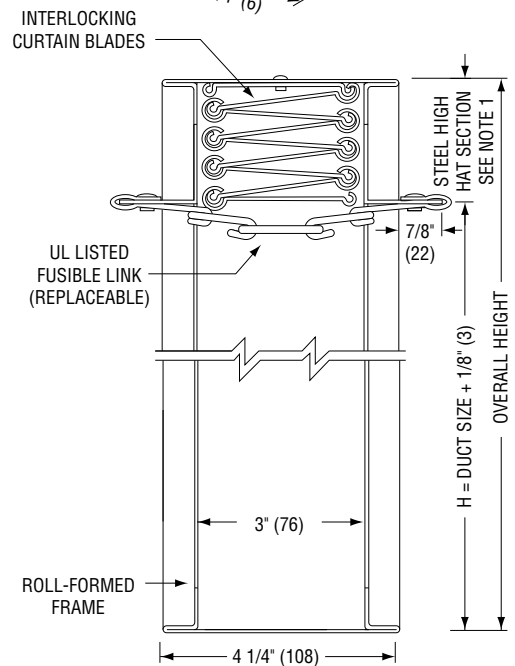
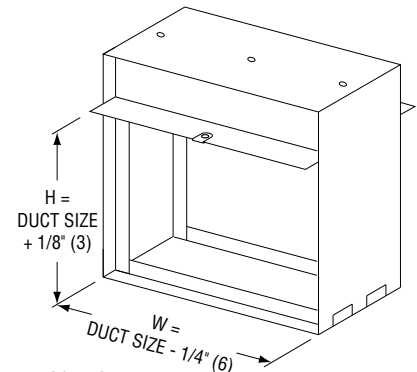
① Maximum individual sections not to exceed 34" x 60" (684 x 1524).

OPTIONS:

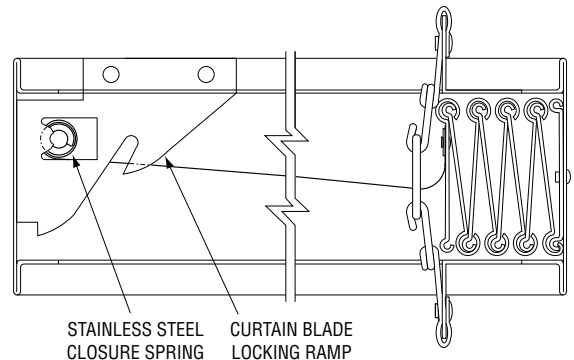
- Non-standard temperature fusible link. Specify _____.
- PT Pull Tab Release. Permits simple reset of horizontal damper when access door is located below damper. (See dwg. ACC-PTR for details).
- Factory Sleeve. Available in 10 (3.5) through 22 ga. (0.85) galvanized steel and in lengths required for application. Specify: _____ length. _____ ga.

NOTES:

1. See sizing chart for relationship of duct size and damper size. Refer to drawings 0100-MSSC.



MODEL 0120V – VERTICAL MOUNT



MODEL 0120H – HORIZONTAL MOUNT

For installation instructions, see IOM-FDINST.

Dimensions are in inches (mm).

SCHEDULE TYPE:			
PROJECT:			
ENGINEER:			
CONTRACTOR:			
DATE	B SERIES	SUPERSEDES	DRAWING NO.
4-28-14	FD	10-6-06	0100-2